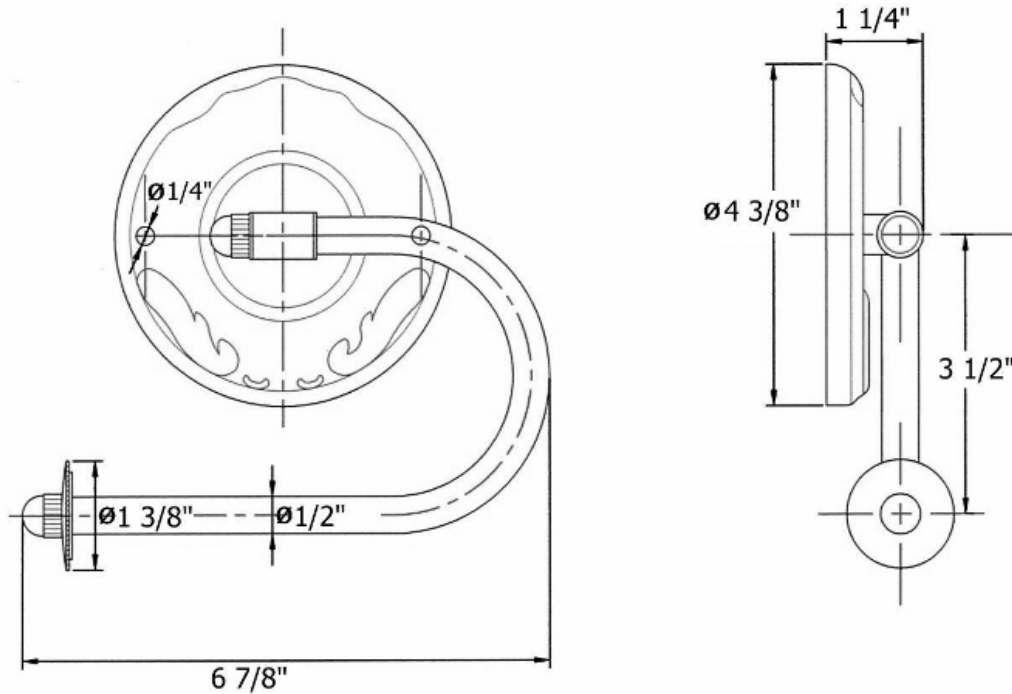


# 1302 – 'Charleston' Toilet Tissue Holder



## Technical Information

- Available finishes are Polished Chrome(**48**), SoliBrass(**49**), Old Gold(**52**), Old Silver(**53**), Polished Brass(**55**), Polished Nickel(**56**), Satin Nickel(**60**), Weathered Brass(**70**).
- Please see cleaning instructions for finish care and maintenance information.

## Part#

01  
02  
03  
04  
05

## Description

Finished Nut  
Finished Disc  
Finished Arm  
Finished Screws  
Ceramic Escutcheon

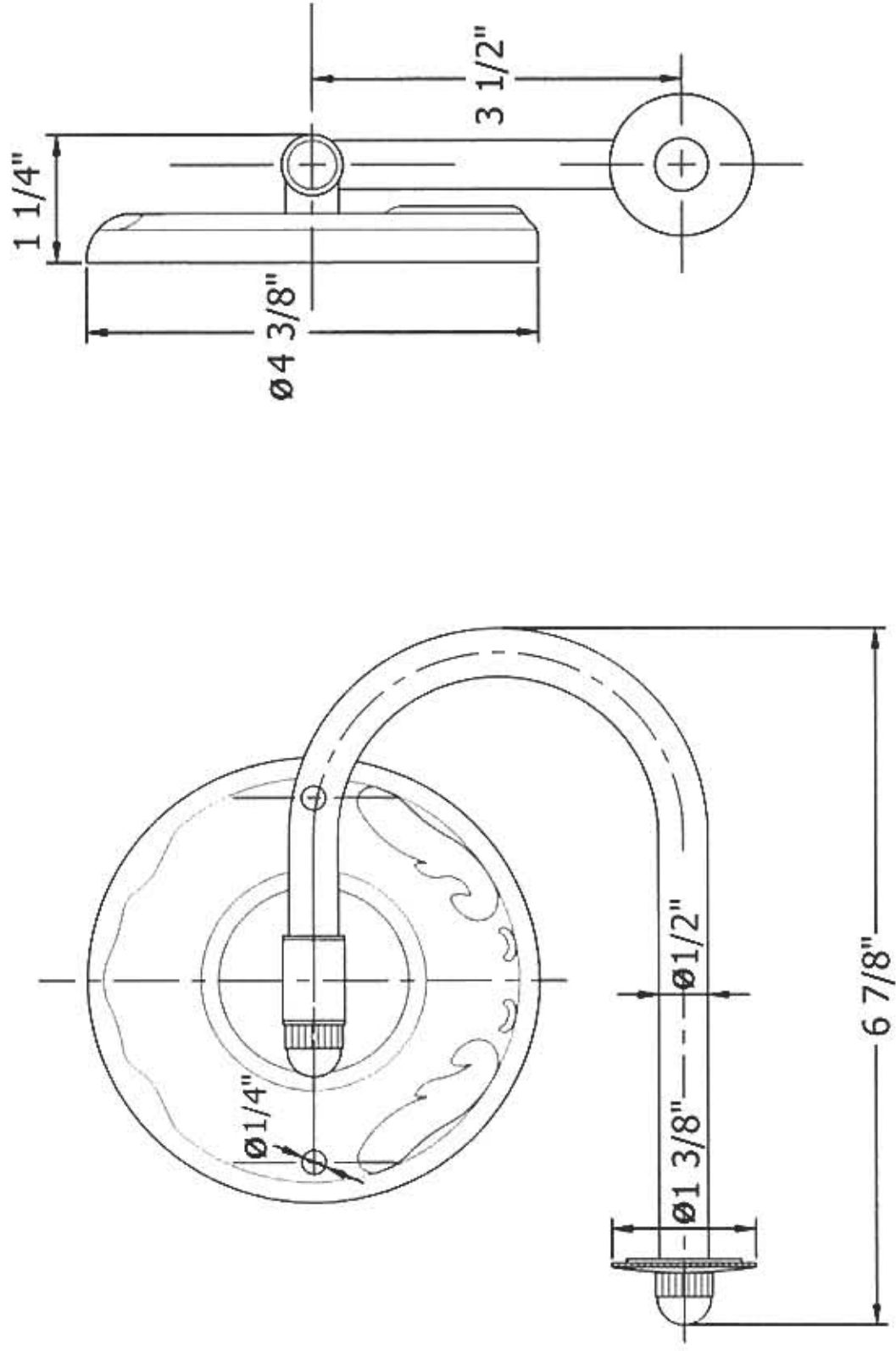
Please follow example when ordering parts for 'Charleston' Tissue Holder.

- To order part#02 – **Finished Disc**
  - 9130202xx
- Please substitute finish number needed in place of **xx**.
- To order a part that is not finished use **00**

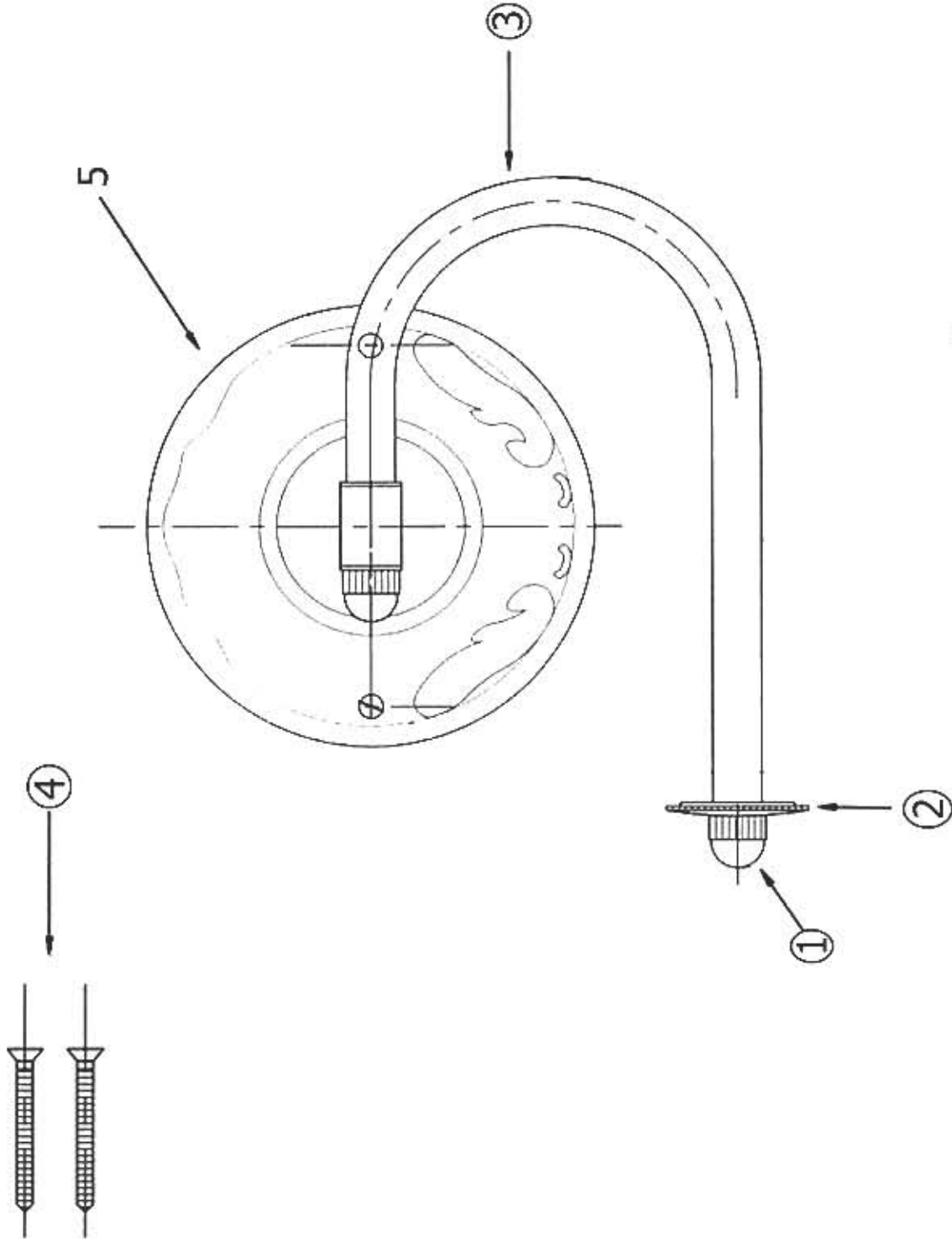


**Herbeau.**  
L'Art du Sanitaire depuis 1857

# 1302 - 'Charleston' Toilet Tissue Holder



# 1302 - 'Charleston' Toilet Tissue Holder



○ - Finished Pieces