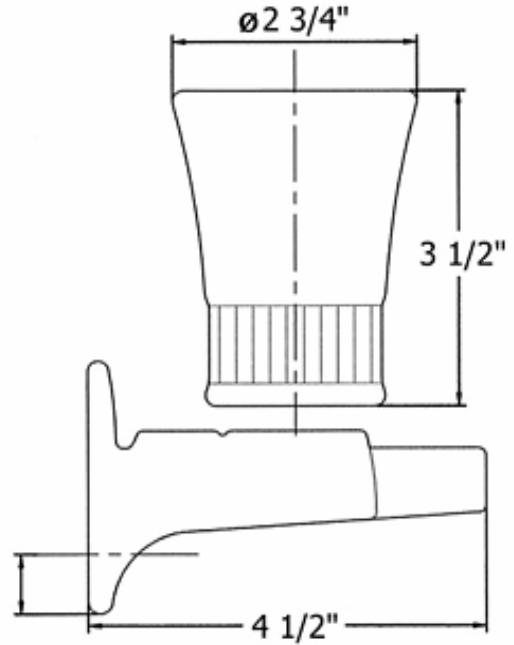
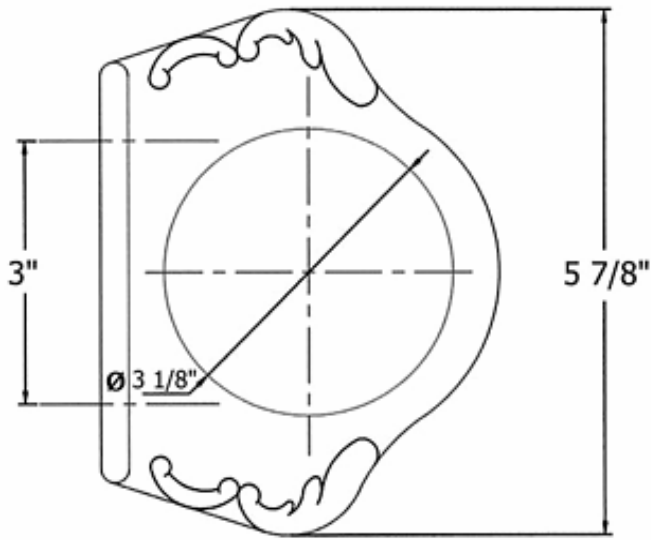


1413 – 'Charleston' Teeth Tumbler Holder



Technical Information

- Available in white or hand painted.
- Please see cleaning instructions for finish care and maintenance information.

Part#

01
02

Description

Ceramic Base
Ceramic Cup

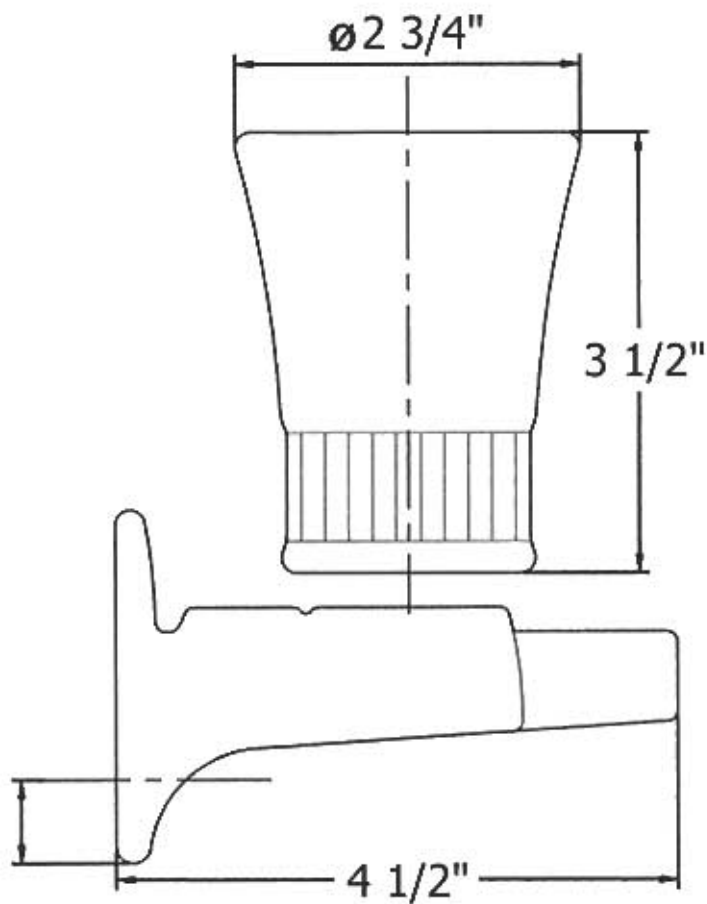
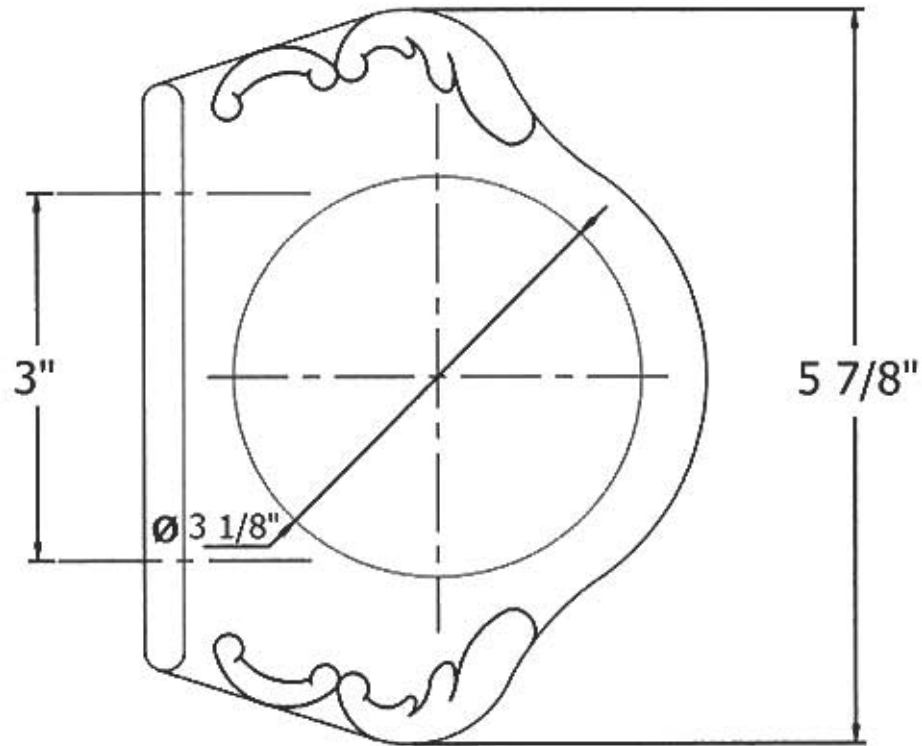
Please follow example when ordering parts for Teeth Tumbler Holder.

- To order part#01 – **Brush**
 - 9141301xx
- Please substitute finish number needed in place of **xx**.
- To order a part that is not finished use **00**



Herbeau
L'Art du Sanitaire depuis 1857

1413 - 'Charleston' Teeth Tumbler Holder



1413 - 'Charleston' Teeth Tumbler Holder

