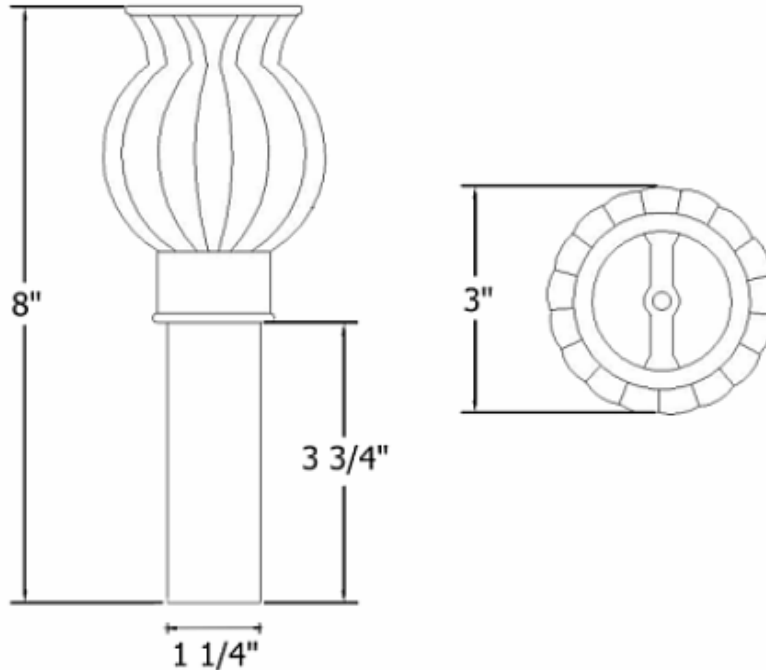


2124 – 'Tulip' Drain



Technical Information

- Available finishes are Polished Chrome (**48**), SoliBrass(**49**), Old Gold(**52**), Old Silver(**53**), Polished Brass(**55**), Polished Nickel(**56**), Satin Nickel(**60**), Weathered Brass(**70**).
- Please see cleaning instructions for finish care and maintenance information.
- To be used with #2120 and P-trap #3013 or #3014.
- The 'Tulip' Drain with P-trap will pass UPC Code.

Part#

01
02
03

Description

Rubber Gasket
Finished Sphere
Finished Tailpiece

Please follow example when ordering parts for 'Tulip' Drain.

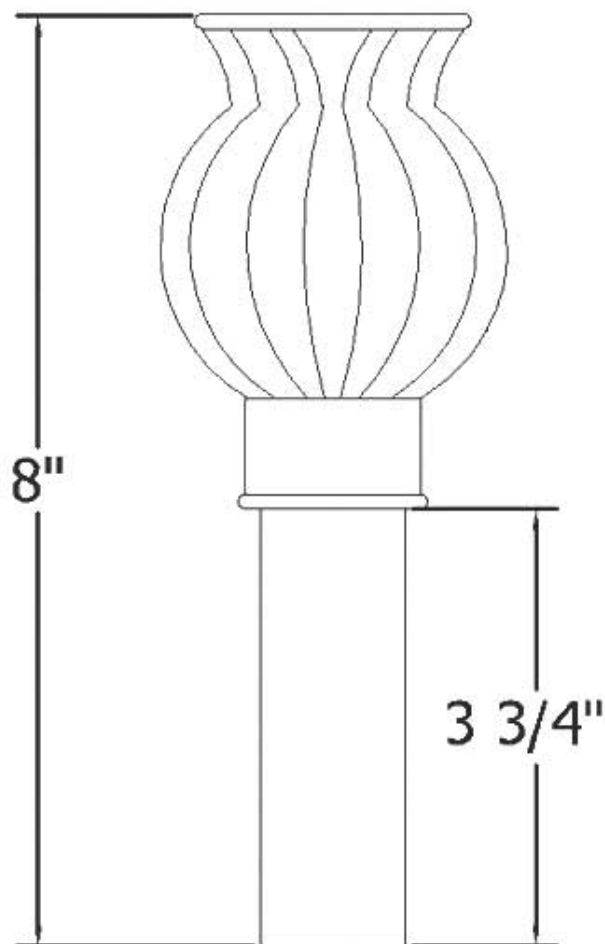
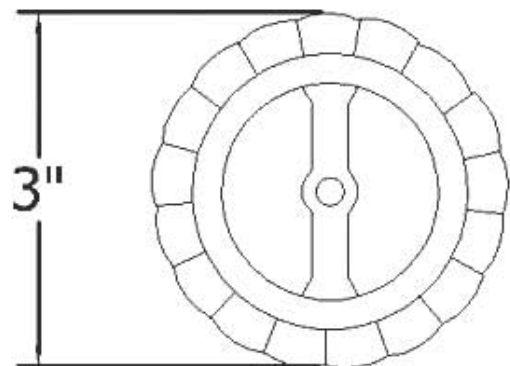
- To order part#01 – **Rubber Gasket**
 - 9212401xx
- Please substitute finish number needed in place of **xx**.
- To order a part that is not finished use **00**



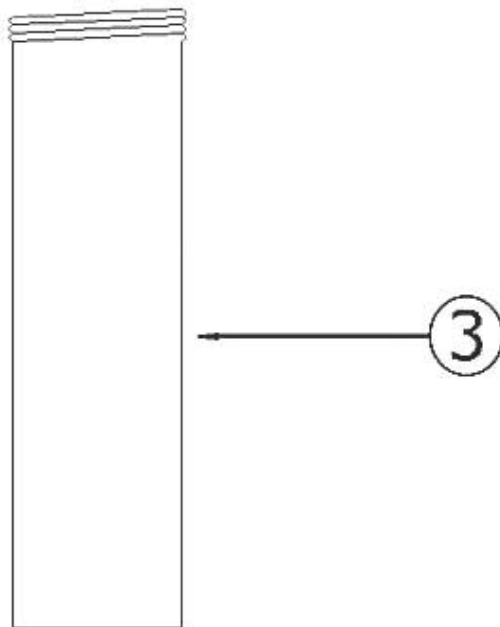
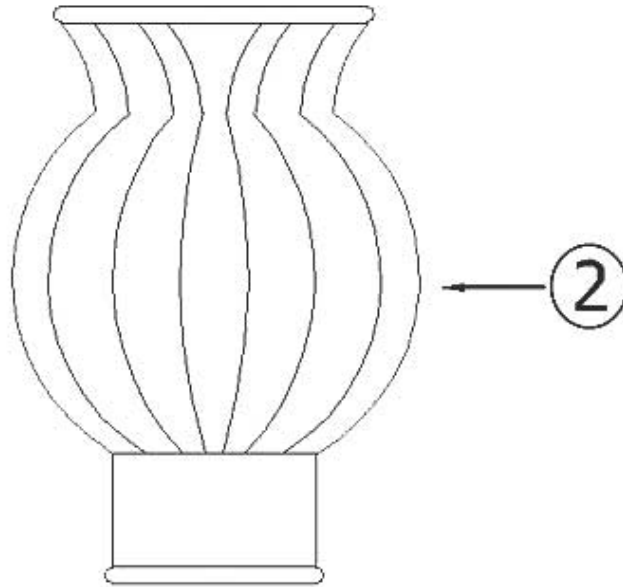
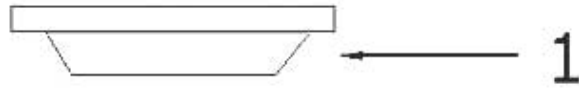
Herbeau

L'Art du Sanitaire depuis 1857

2124 - 'Tulip' Drain



2124 - 'Tulip' Drain



○ - Finished Pieces