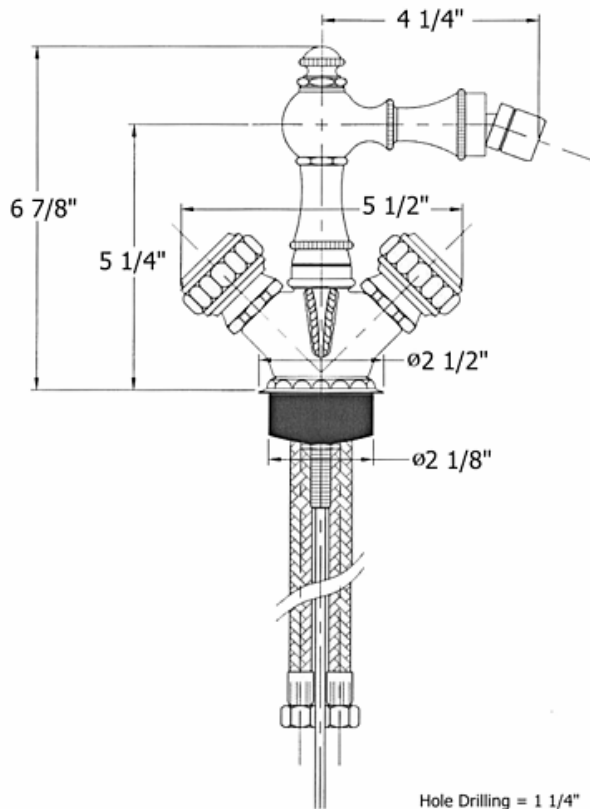


2233 – 'Pompadour' Single Hole Bidet Set



Part #	Description
01	Top Knob
02	Finished Washer
03	Spout
04	Nozzle
05	Nozzle Extension
06	Spout Washer
07	Aerator Filter
08	Aerator Cover
09	Rubber O-rings
10	Body
11	Finished Nut
12	Body
13	Threaded stem
14	Deck Escutcheon
15	Rubber O-ring
16	Plastic Mounting Block
17	Brass Nut
18	Handle
19	Brass Screw
20	Nylon Separator
21	Handle Escutcheon
24	Flexible Hose O-ring
25	Flexible Hose
26	Pop Up Knob
27	Pop Up Rod
85	Cartridge

Technical Information

- Requires 1 1/4" hole drilling
- Flow rate is 2.2 GPM
- Available finishes are Polished Chrome(**48**), Solibrass(**49**), Old Gold(**52**), Old Silver(**53**), Polished Brass(**55**), Polished Nickel(**56**), Satin Nickel(**60**), Weathered Brass(**70**)
- Includes 1 1/4" pop-up drain
- Please see cleaning instructions for finish care and maintenance information.

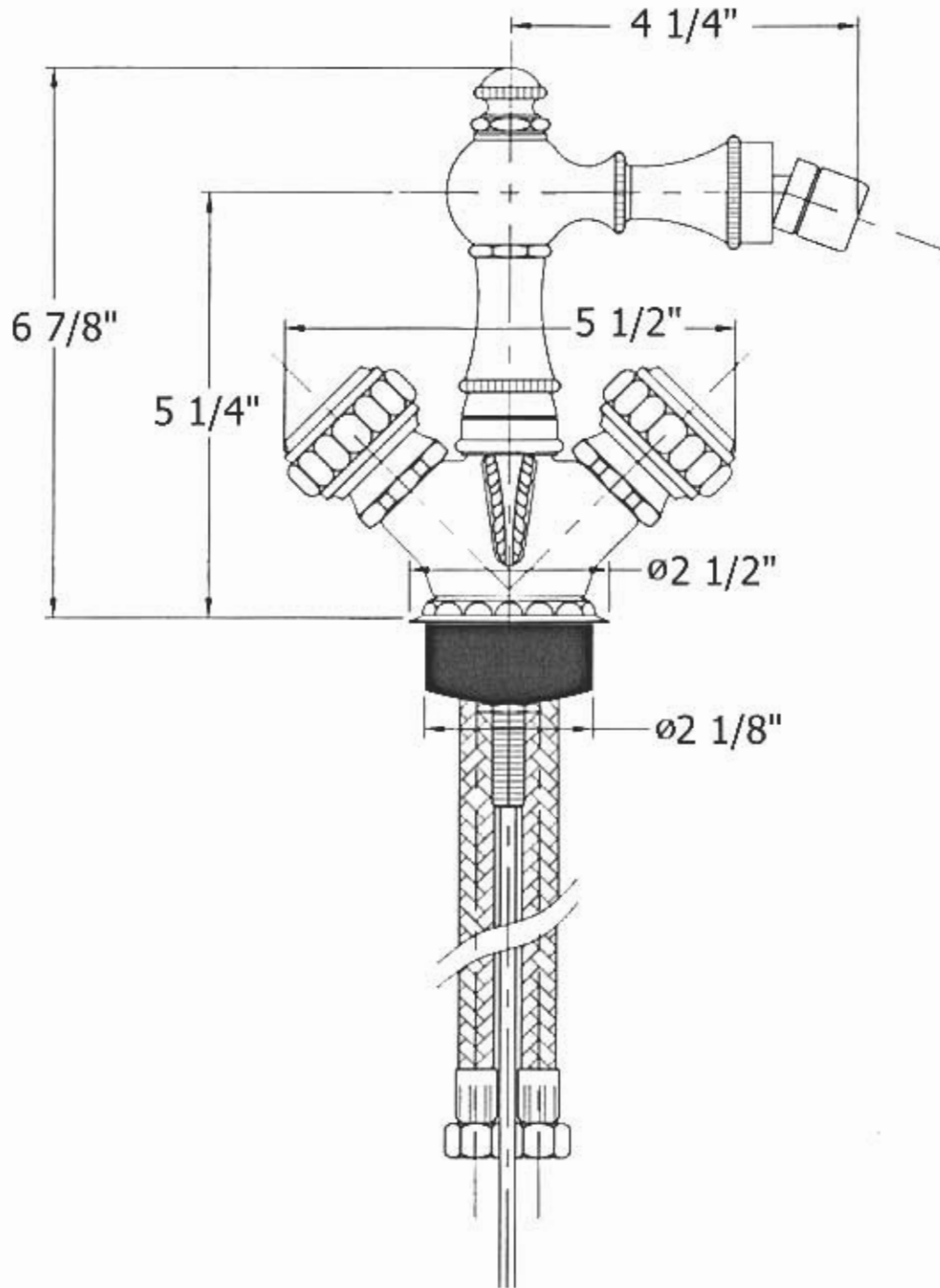
Please follow example when ordering parts for 'Pompadour' Bidet Mixer.

- To order part#03 – **Spout**
 - **9223303xx**
- Please substitute finish number needed in place of **xx**.
- To order a part that is not finished use **00**



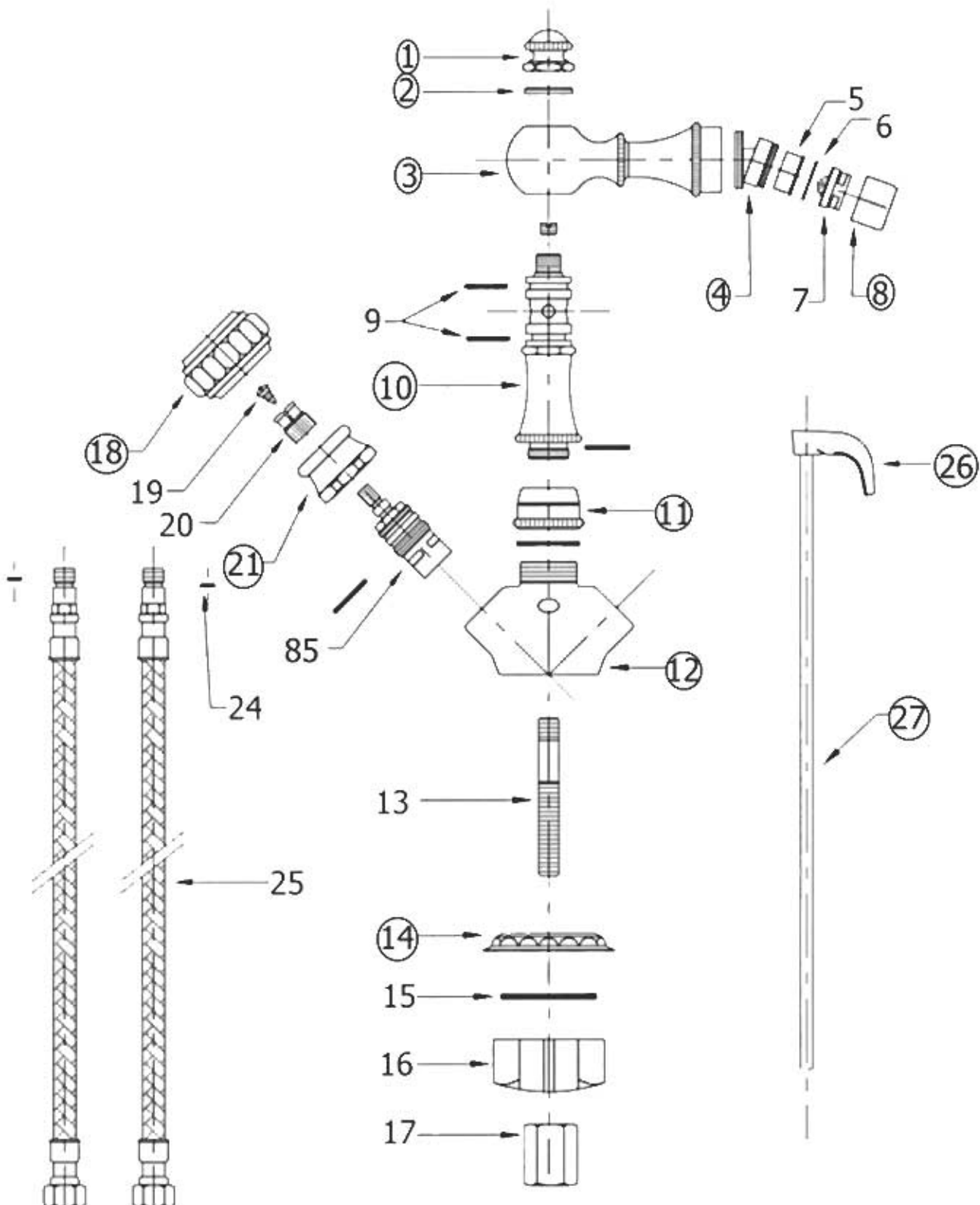
Herbeau
L'Art du Sanitaire depuis 1857

2233 - 'Pompadour' Single Hole Bidet Set



Hole Drilling = $1 \frac{1}{4}$ "

2233 - 'Pompadour' Single Hole Bidet Set



○ - Finished Pieces