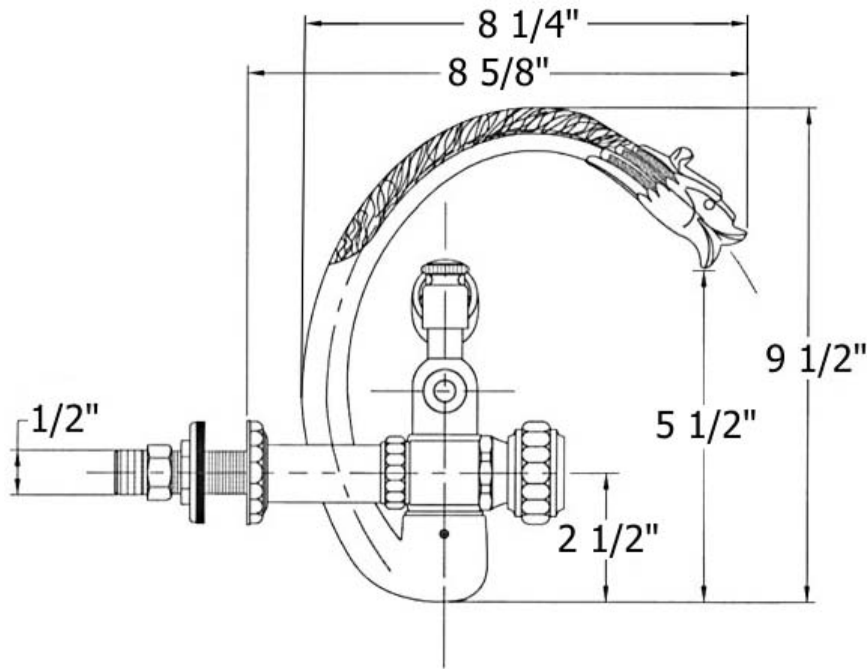


2235 - 'Pompadour' Wall Mounted Tub Filler



Part #	Description
01	Brass Nut
02	Metal Ring
03	Rubber O-ring
04	Wall Escutcheon
05	Finished Threaded Inlet
06	Fiber Washer
07	Spout
10	Handle Escutcheon
11	Nylon Separator
12	Brass Screw
13	Handle
14	Rubber O-rings
15	Diverter
16	Metal Spring
17	Rubber O-ring
18	Diverter Control Knob
19	Diverter Housing
20	Rubber O-ring
21	Finished Screw
22	Hand shower Faceplate
23	Rubber Gasket
28	Finished Handle
30	Finished Hose
31	Fiber Washer
32	Hand shower Bracket
34	Rubber O-ring
36	1/2" Adapter
37	Fiber Washer
85	Cartridge

Technical Information

- 1/2" male adapter
- Includes hand shower
- Flow rate is 3.2 GPM
- Available finishes are Polished Chrome(48), Solibrass(49), Old Gold(52), Old Silver(53), Polished Brass(55), Polished Nickel(56), Brushed Nickel(57), Satin Nickel(60), Weathered Brass(70)
- Please see cleaning instructions for finish care and maintenance information.

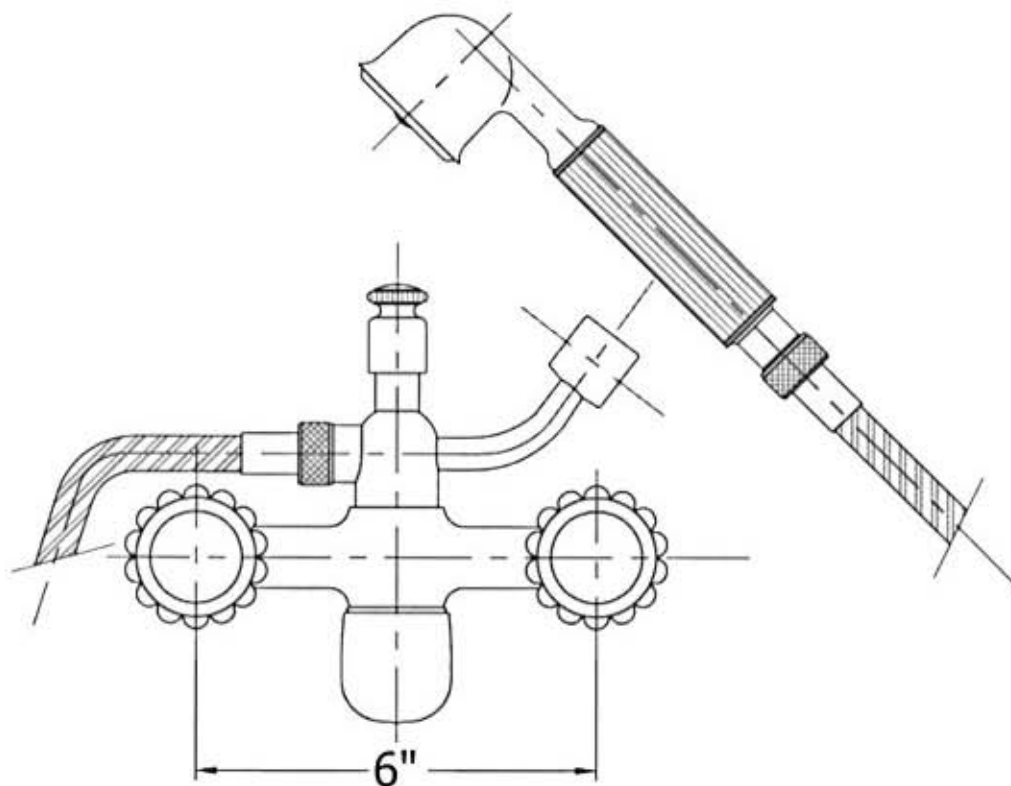
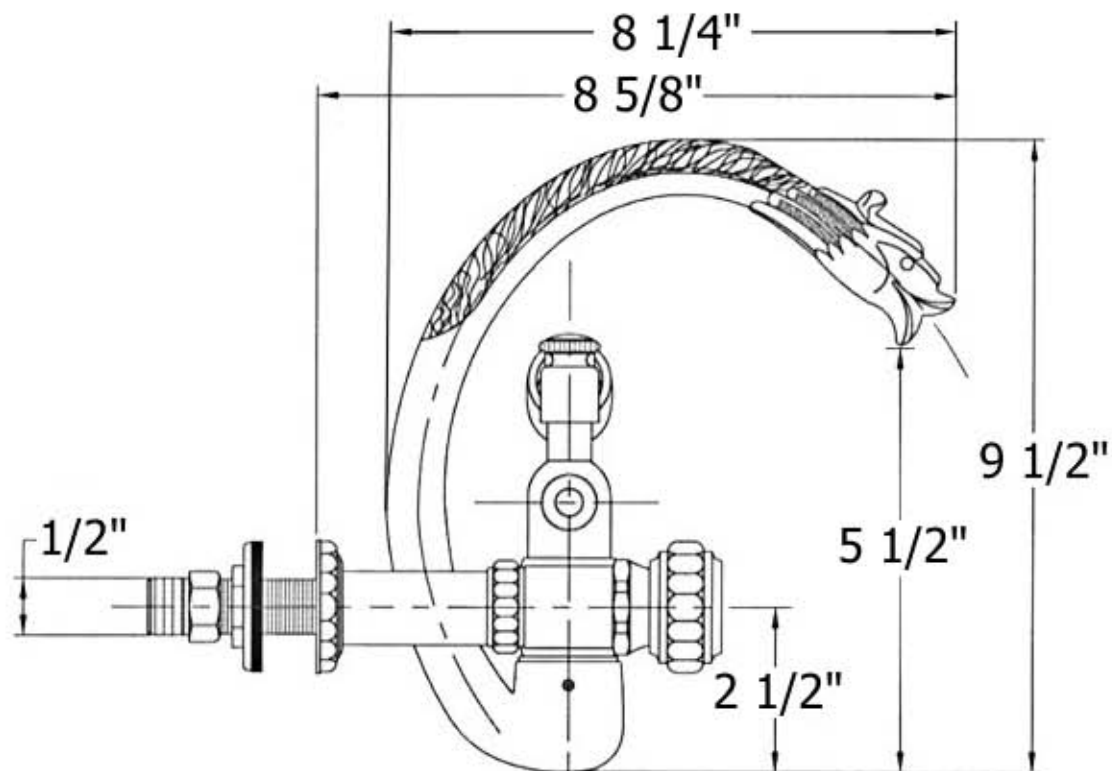
Please follow example when ordering parts for 'Pompadour' Tub Filler.

- To order part#01 – **Brass Nut**
 - 9223501xx
- Please substitute finish number needed in place of **xx**.
- To order a part that is not finished use **00**.

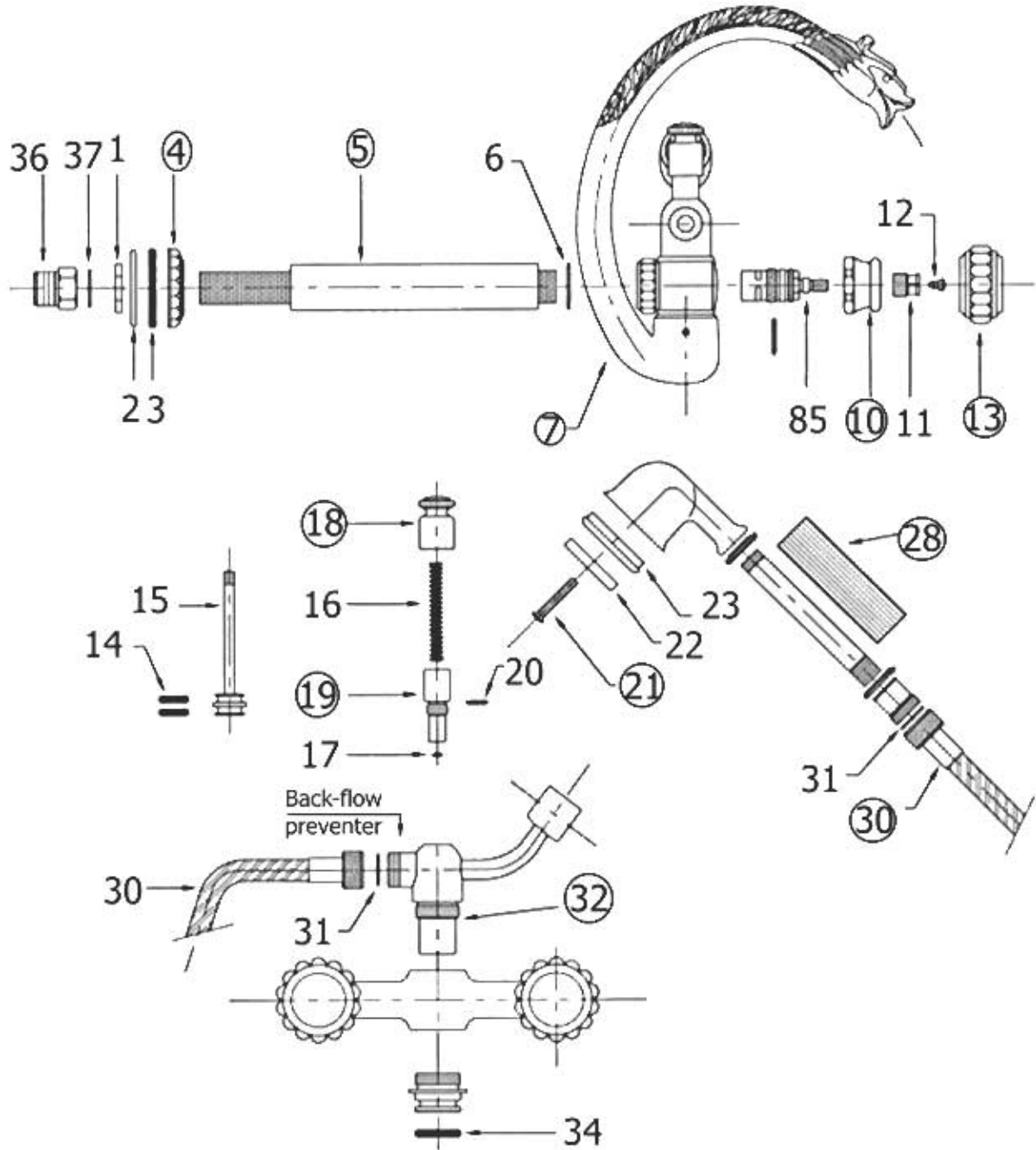


Herbeau[®]
L'Art du Sanitaire depuis 1857

2235 - 'Pompadour' Wall Mounted Tub Filler



2235 - 'Pompadour' Wall Mounted Tub Filler



○ - Finished Pieces