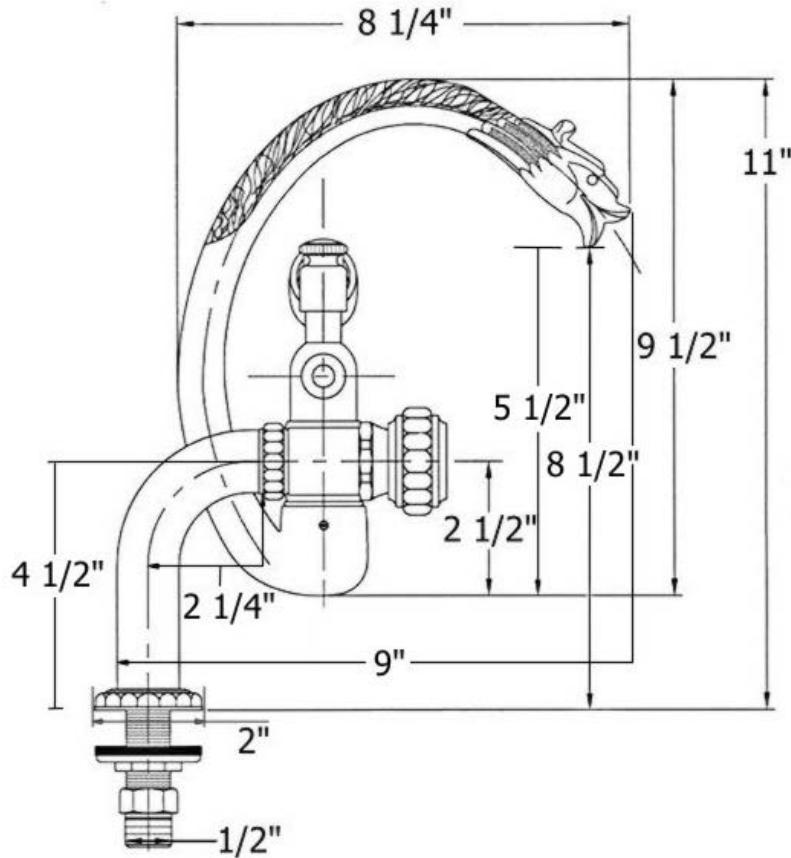


# 2236 - 'Pompadour' Deck Mounted Tub Filler



Part #	Description
01	Brass Nut
02	Metal Ring
03	Rubber O-ring
04	Deck Escutcheon
05	Finished Threaded Inlet
06	Fiber Washer
07	Spout
10	Handle Escutcheon
11	Nylon Separator
12	Brass Screw
13	Handle
14	Rubber O-rings
15	Diverter
16	Metal spring
17	Rubber O-ring
18	Diverter Control Knob
19	Diverter Housing
20	Rubber O-ring
21	Finished Screw
22	Hand shower Faceplate
23	Rubber Gasket
28	Finished Handle
30	Finished Hose
31	Fiber Washer
32	Hand Shower Bracket
34	Rubber O-ring
36	1/2" Adapter
37	Fiber Washer
85	Cartridge

## Technical Information

- Hole drilling 1 1/4"
- Includes hand shower
- 1/2" male adapter
- Can be used with adduction pipes (item# 2239)
- Flow rate is 3.2 GPM
- Available finishes are Polished Chrome(48), Solibrass(49), Old Gold(52), Old Silver(53), Polished Brass(55), Polished Nickel(56), Brushed Nickel(57), Satin Nickel(60), Weathered Brass(70)
- Please see cleaning instructions for finish care and maintenance information.

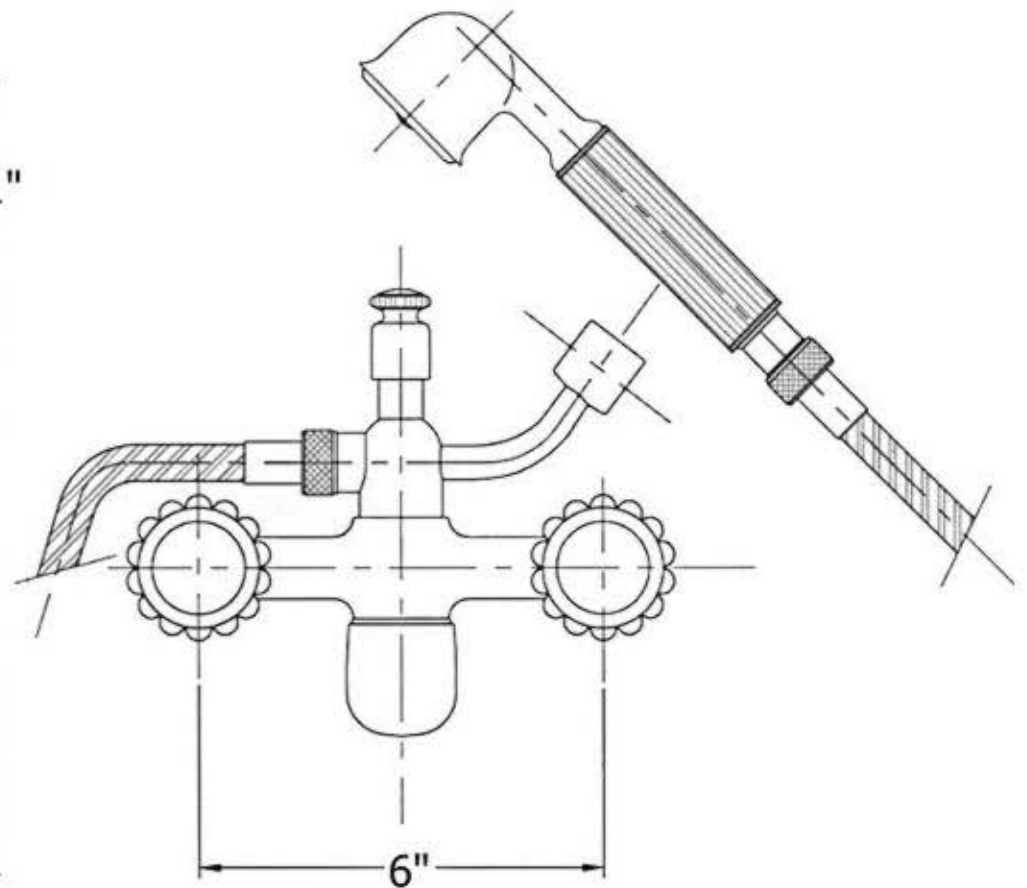
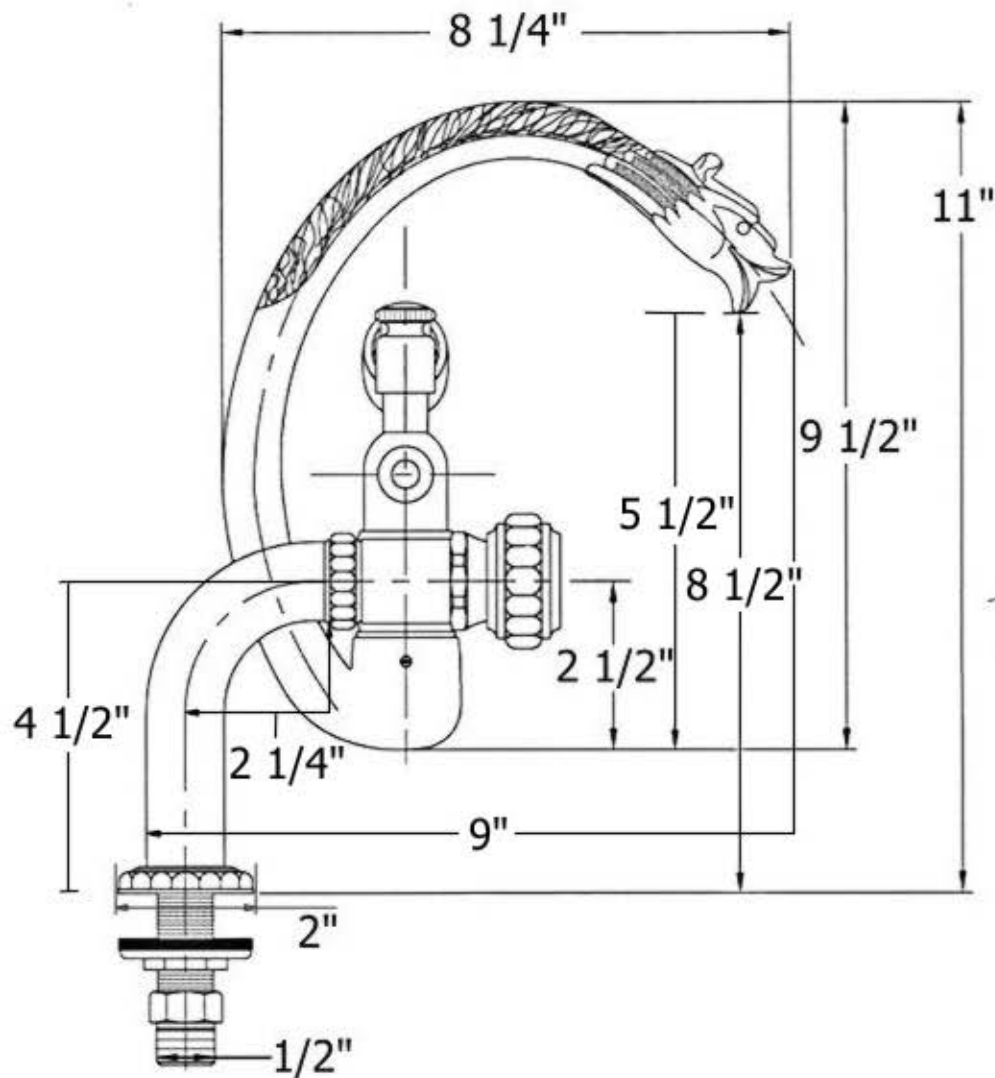
Please follow example when ordering parts for 'Pompadour' Tub Filler.

- To order part#01 – **Brass Nut**
  - 9223601xx
- Please substitute finish number needed in place of **xx**.
- To order a part that is not finished use **00**



**Herbeau**<sup>®</sup>  
L'Art du Sanitaire depuis 1857

# 2236 - 'Pompadour' Deck Mounted Tub Filler



Hole Drilling =  $1 \frac{1}{4}$ "

