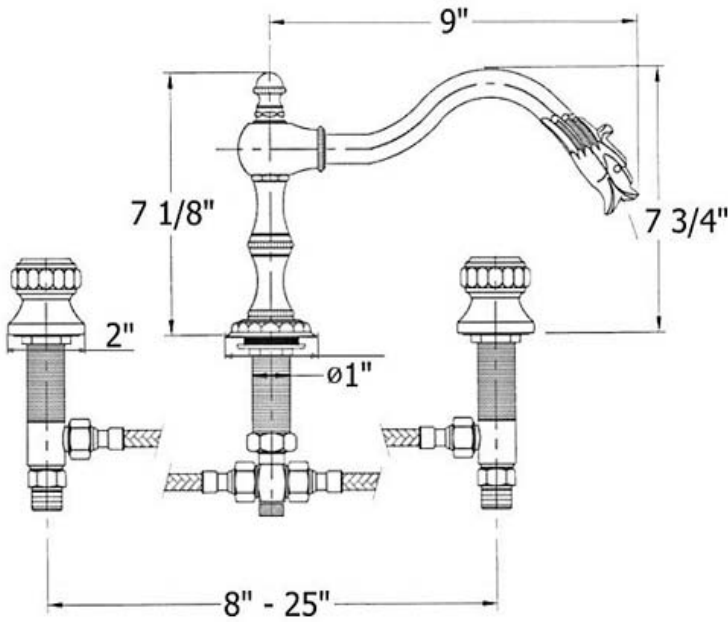


# 2237 - 'Pompadour' Roman Tub Set



## Technical Information

- Requires 1 1/4" hole drilling
- 8" to 25" spread
- Flow rate is 2.2 GPM
- Available finishes are Polished Chrome(48), Solibrass(49), Old Gold(52), Old Silver(53), Polished Brass(55), Polished Nickel(56), Brushed Nickel(57), Satin Nickel(60), Weathered Brass(70)
- Please see cleaning instructions for finish care and maintenance information.

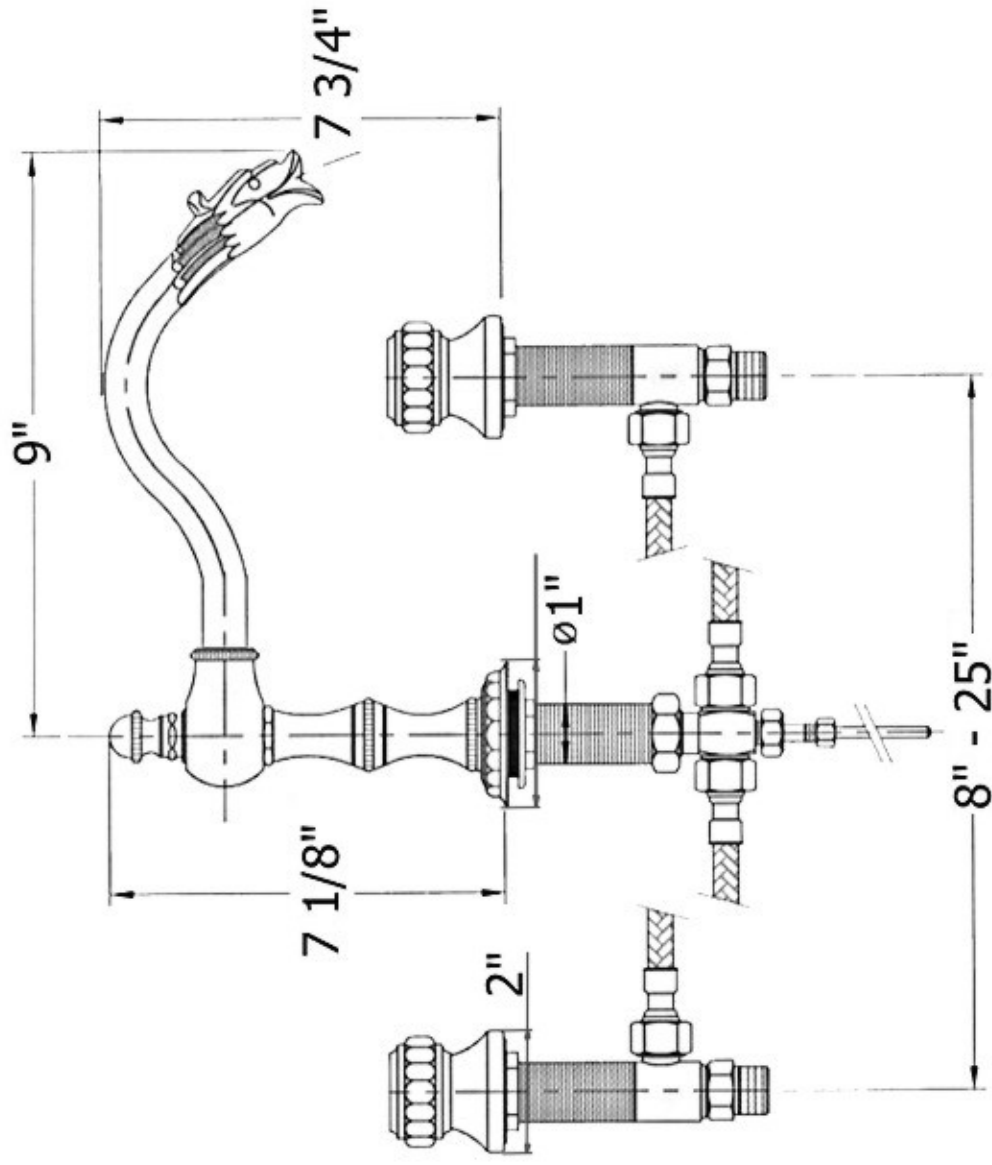
Part #	Description
01	Handle
02	Brass Screw
03	Nylon separator
04	Handle Escutcheon
06	Brass Nut
07	Rubber O-ring
08	Fiber Washer
09	Brass Nut
10	Valve Body
11	Fiber Washer
12	1/2" Adapter
13	Flexible Hose
14	Brass Nut
15	Rubber O-ring
16	Diverter
17	Fiber Washer
18	Brass Nut
19	Metal Ring
20	Rubber O-ring
21	Rubber O-ring
22	Spout Escutcheon
23	Threaded Stem
24	Spout Body
25	Rubber O-rings
26	Spout
27	Finished Ring
28	Finished Nut
29	Top Knob
30	Diverter Rod
31	Rubber O-rings
32	Rubber Gasket
33	Copper Tube
85	Cartridge

Please follow example when ordering for 'Pompadour' Roman Tub Set.

- To order part#26 – **Spout**
  - 9223726xx
- Please substitute finish number needed in place of **xx**.
- To order a part that is not finished use **00**

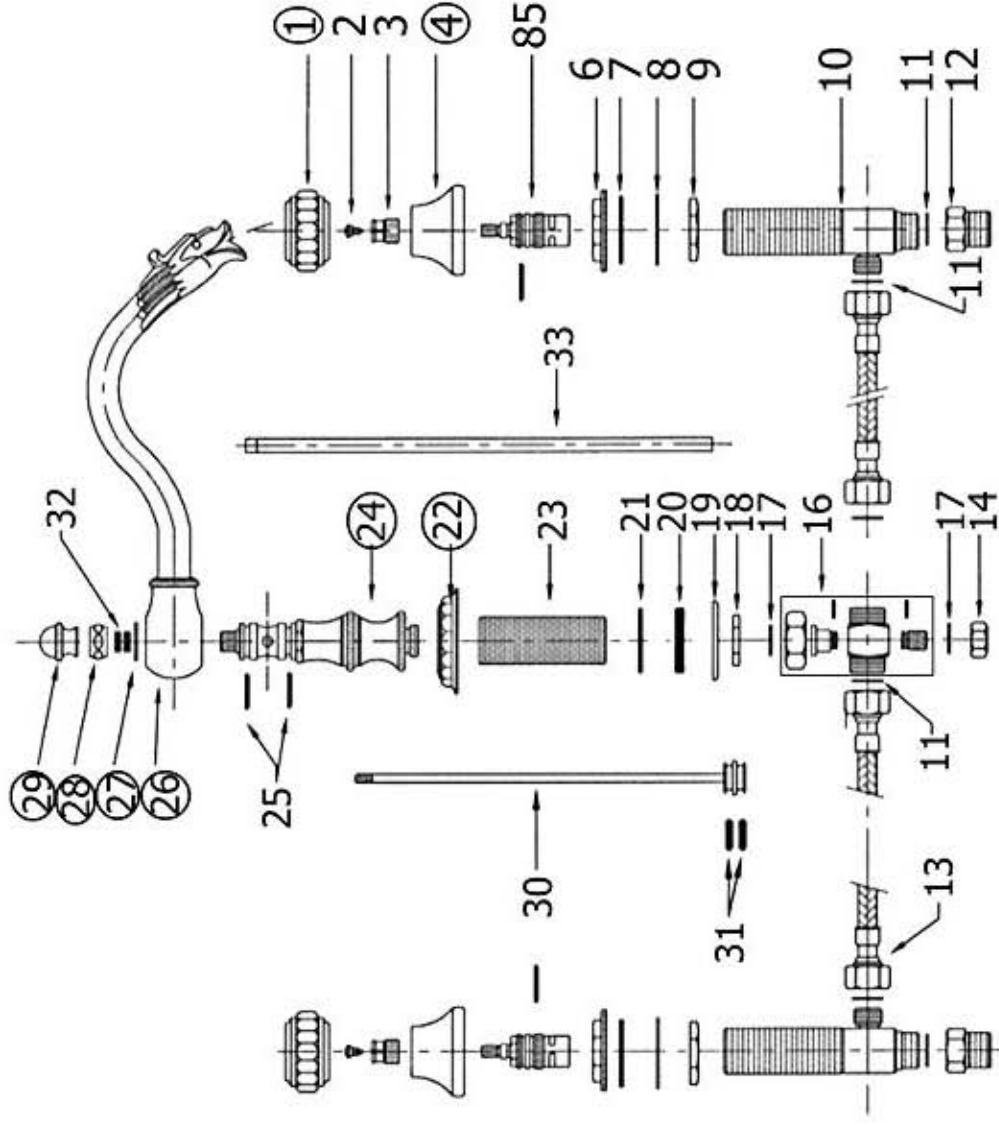


# 2237 - 'Pompadour' Roman Tub Set



Hole Drilling = 1 1/4"

# 2237 - 'Pompadour' Roman Tub Set



○ - Finished Pieces