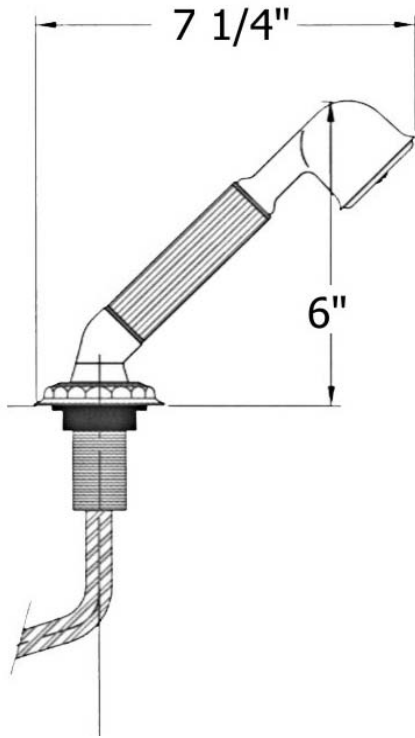


2244 - 'Pompadour' Personal Hand Shower



Part #	Description
01	Hose
02	Fiber Washer
03	Threaded Stem
04	Brass Nut
05	Metal Ring
06	Rubber O-ring
07	Rubber O-ring
08	Deck Escutcheon
09	Hand Shower Elbow
10	Fiber Washer
11	Finished Transition
12	Finished Ring
13	Finished Handle
14	Finished Ring
17	Seal
18	Hand Shower Face
19	Finished Screw

Technical Information

- Requires 1 1/4" hole drilling
- Flow rate is 2.2 GPM
- Available finishes are Polished Chrome(48), Solibrass(49), Old Gold(52), Old Silver(53), Polished Brass(55), Polished Nickel(56), Brushed Nickel(57), Satin Nickel(60), Weathered Brass(70)
- Please see cleaning instructions for finish care and maintenance information.

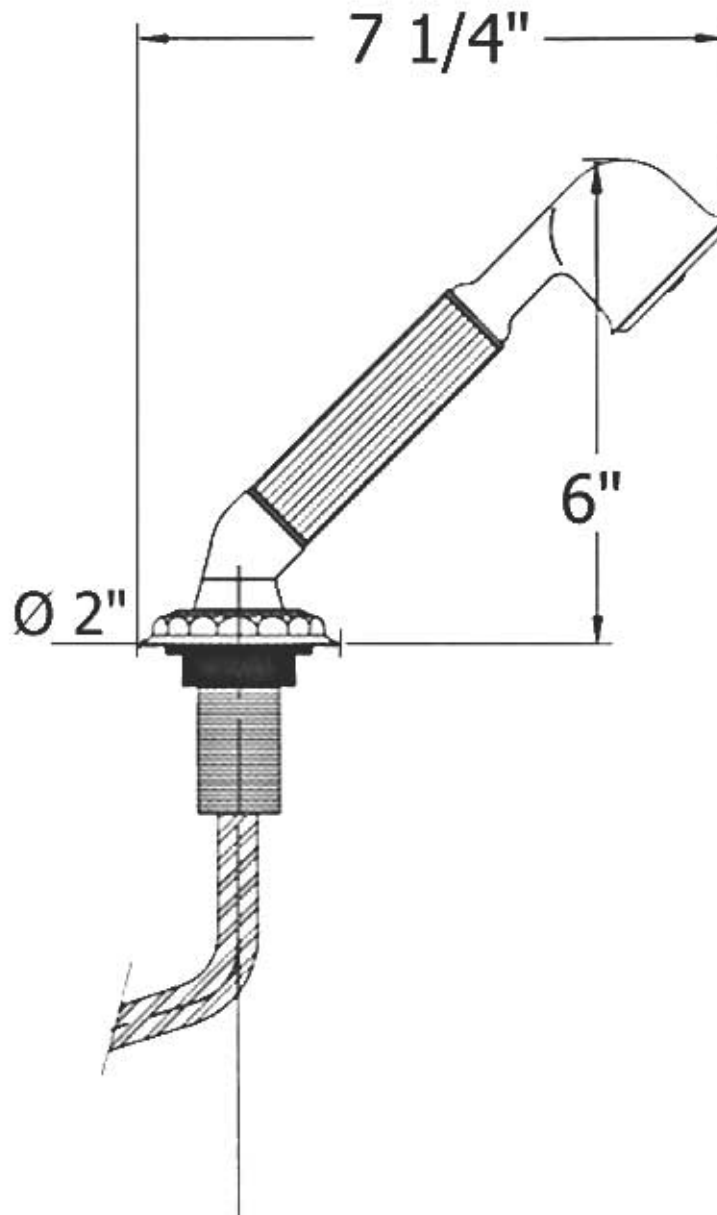
Please follow example when ordering parts for 'Pompadour' Hand Shower.

- To order part#01 – **Hose**
 - 9224401xx
- Please substitute finish number needed in place of **xx**.
- To order a part that is not finished use **00**.



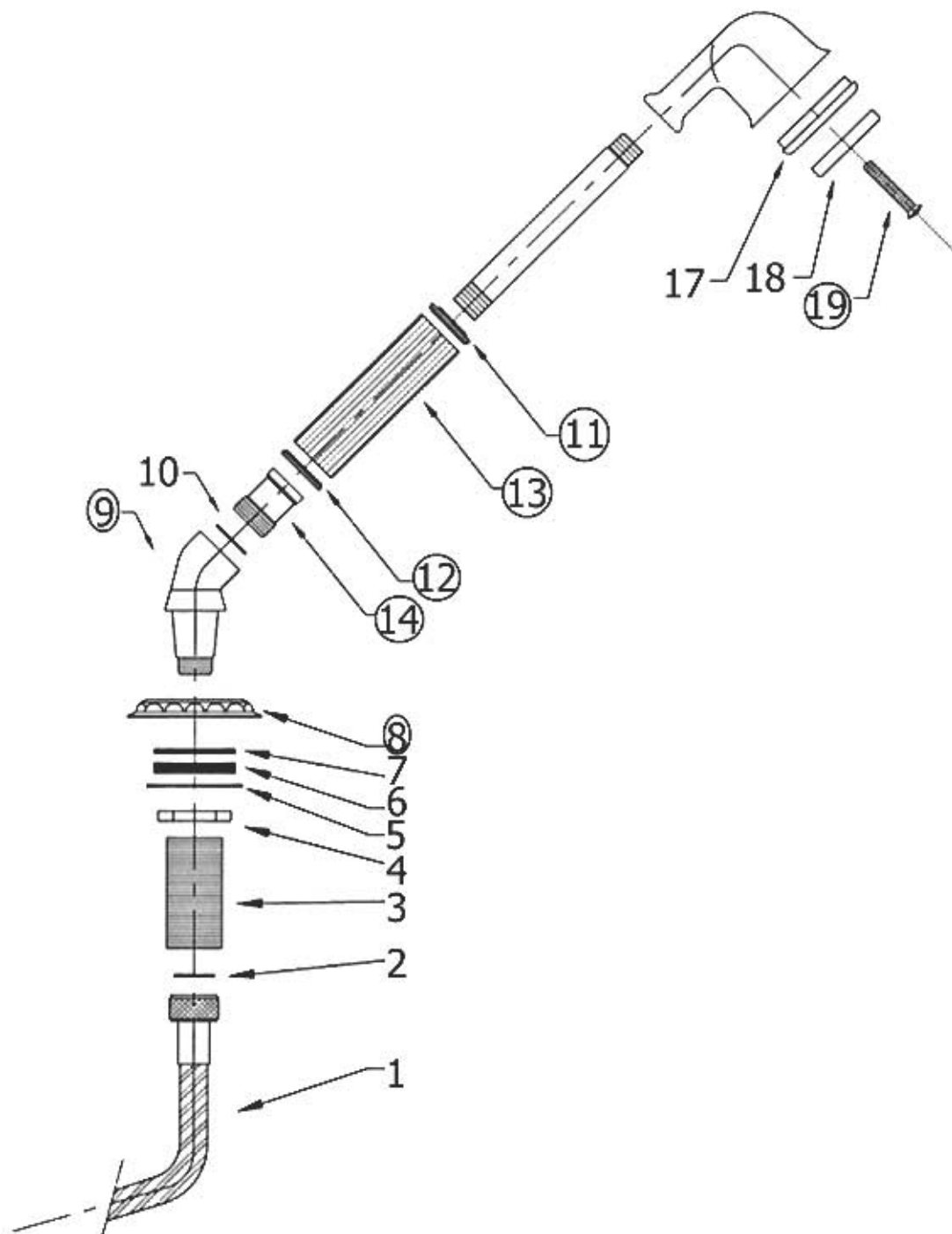
Herbeau[®]
L'Art du Sanitaire depuis 1857

2244 - 'Pompadour' Personal Hand Shower



Hole Drilling = $1 \frac{1}{4}$ "

2244 - 'Pompadour' Personal Hand Shower



○ - Finished Pieces