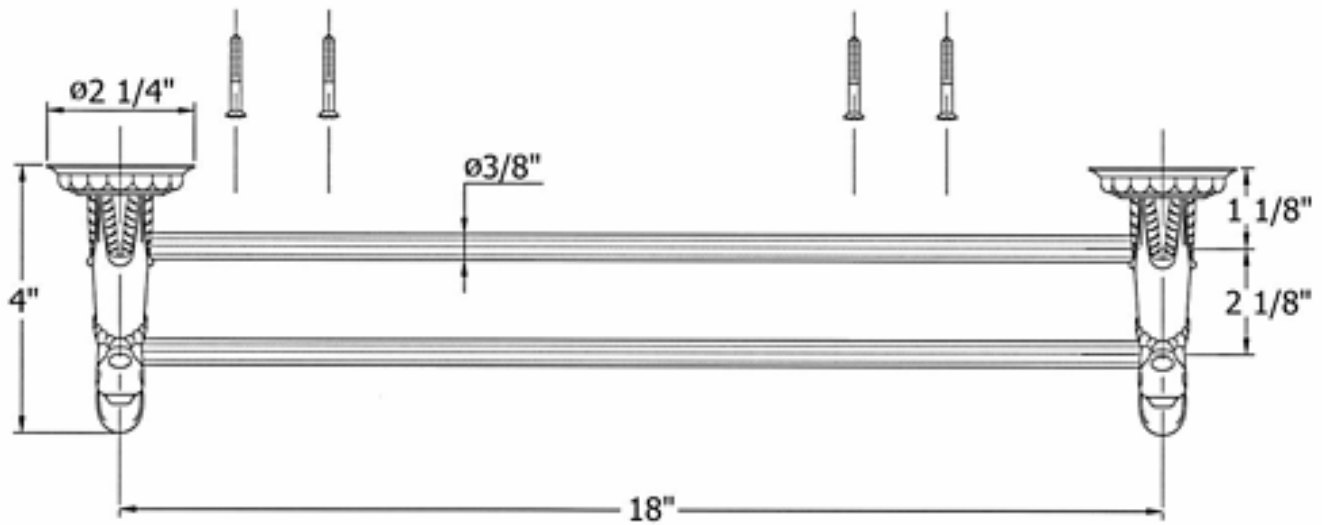


2321 – 'Pompadour' 18" Double Towel Bar



Technical Information

- Available finishes are Polished Chrome(48), Solibrass(49), Old Gold(52), Old Silver(53), Polished Brass(55), Polished Nickel(56), Brushed Nickel(57), Satin Nickel(60), Weathered Brass(70)
- Please see Cleaning Instructions for finish care and maintenance information.
- Bar can be cut to size.

Part#

01
02
03

Description

Finished Screws
Gargoyle Bracket
Towel Bar

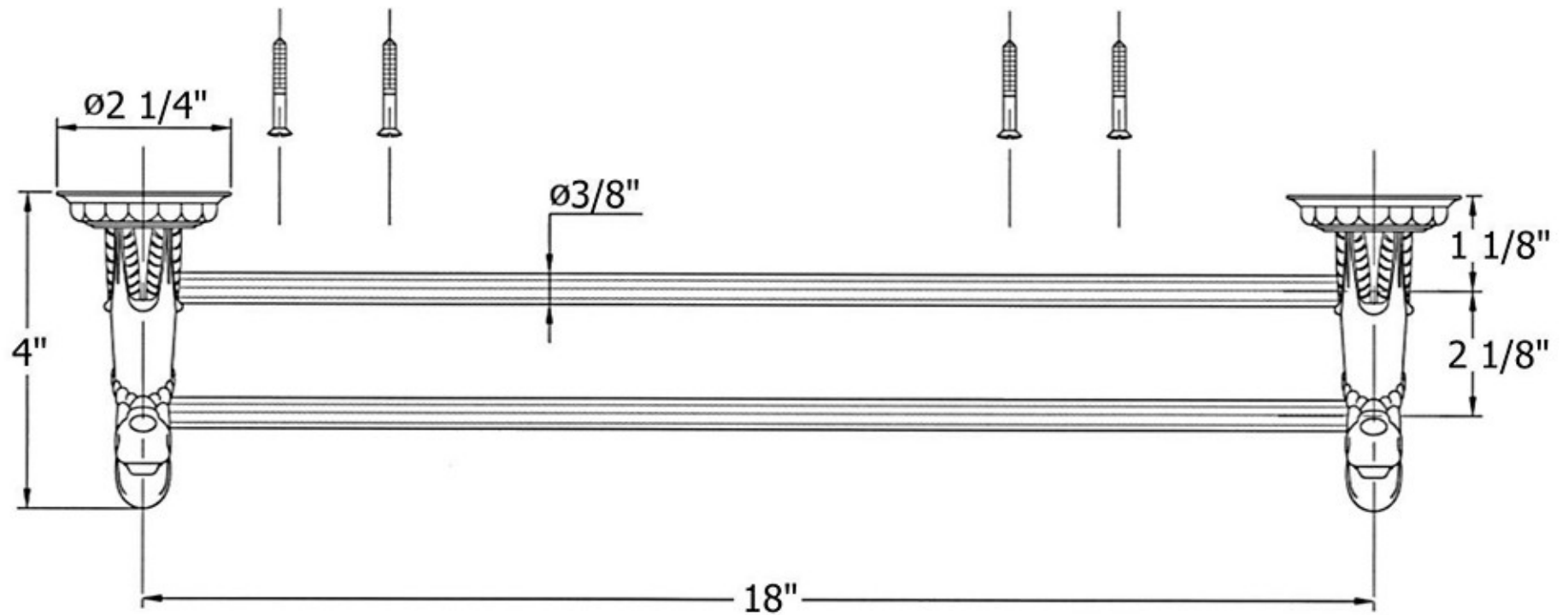
Please follow example when ordering parts for 'Pompadour' Towel Bar.

- To order part#02 – **Gargoyle Bracket**
 - 9232102xx
- Please substitute finish number needed in place of **xx**.
- To order a part that is not finished use **00**

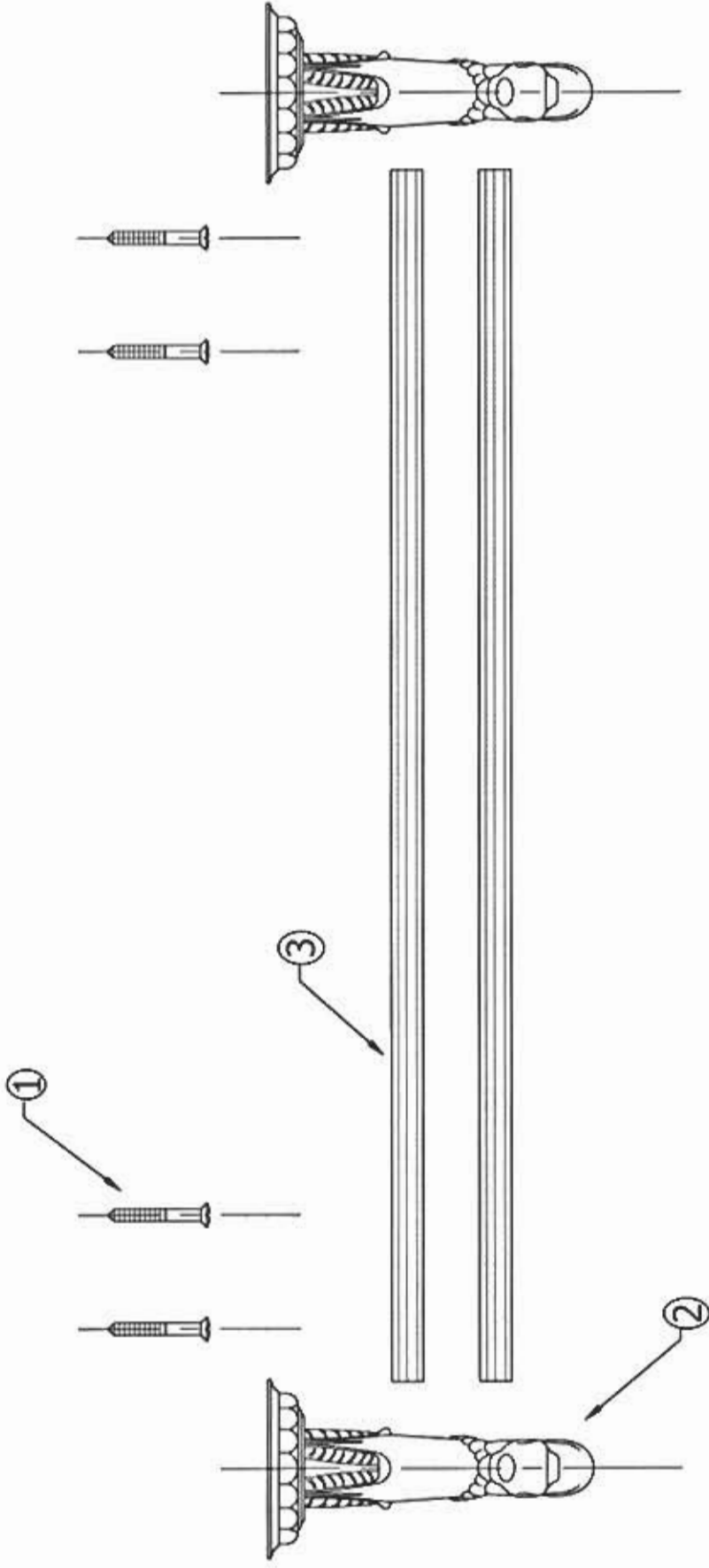


Herbeau[®]
L'Art du Sanitaire depuis 1857

2321 - 'Pompadour' 18" Double Towel Bar



2321 - 'Pompadour' 18" Double Towel Bar



○ - Finished Pieces