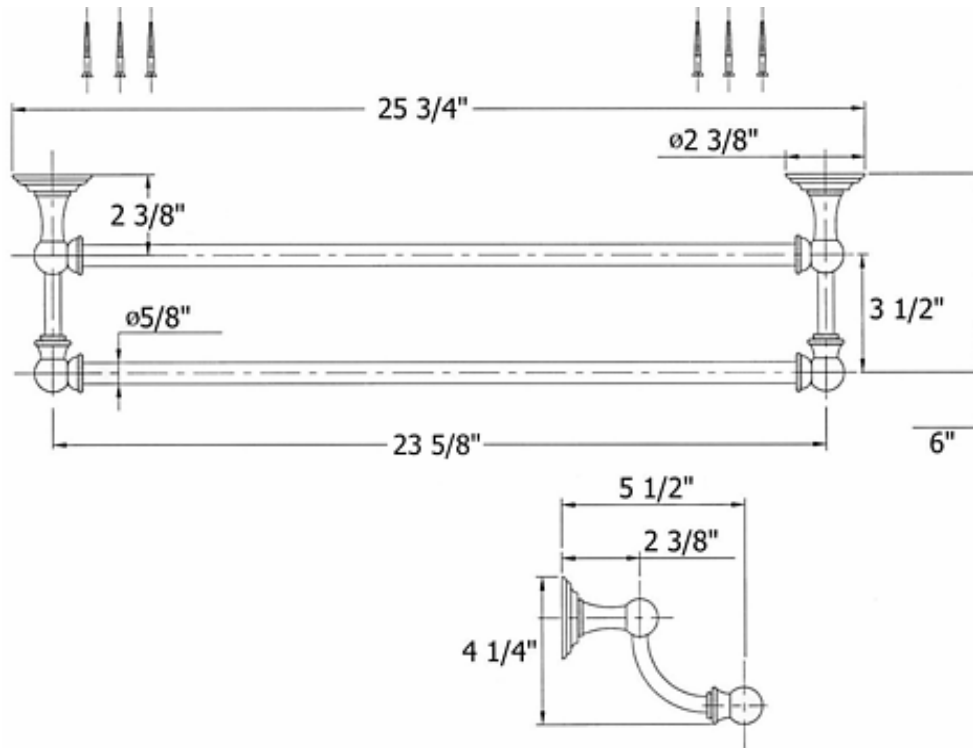


3103 – 'Royale' Double Towel Bar



Technical Information

- Bar can be cut to size
- Available finishes are Polished Chrome (**48**), SoliBrass(**49**), Polished Brass(**55**), Polished Nickel(**56**), Satin Nickel(**60**), Weathered Brass(**70**).
- Please see cleaning instructions for finish care and maintenance information.

Part#

01
02
04
05
07
08

Description

Mounting Bracket
Wall Escutcheon
Bracket
Set Screw
Brass Screws
Finished Bar

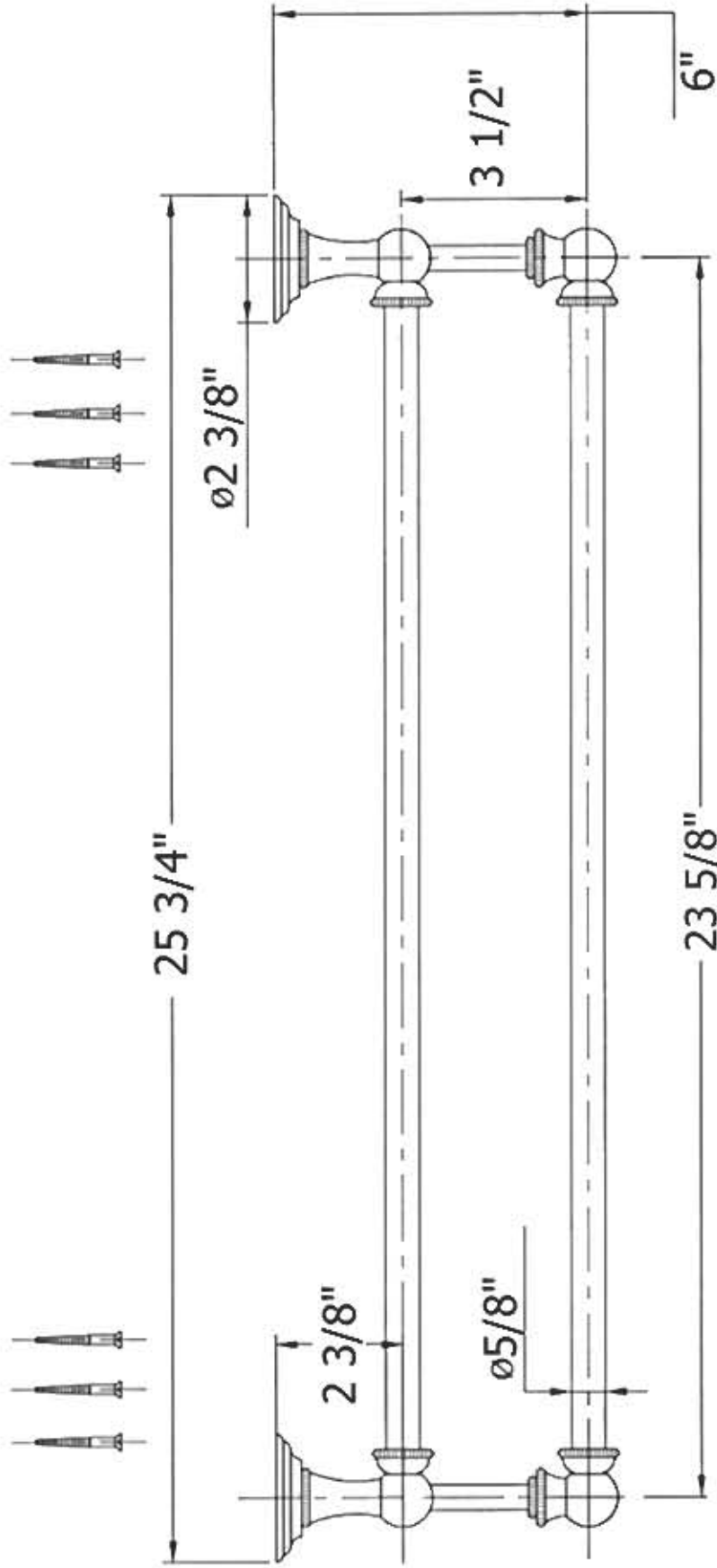
Please follow example when ordering parts for 'Royale' Towel Bar.

- To order part#02 – **Wall Escutcheon**
 - **9310302xx**
- Please substitute finish number needed in place of **xx**.
- To order a part that is not finished use **00**

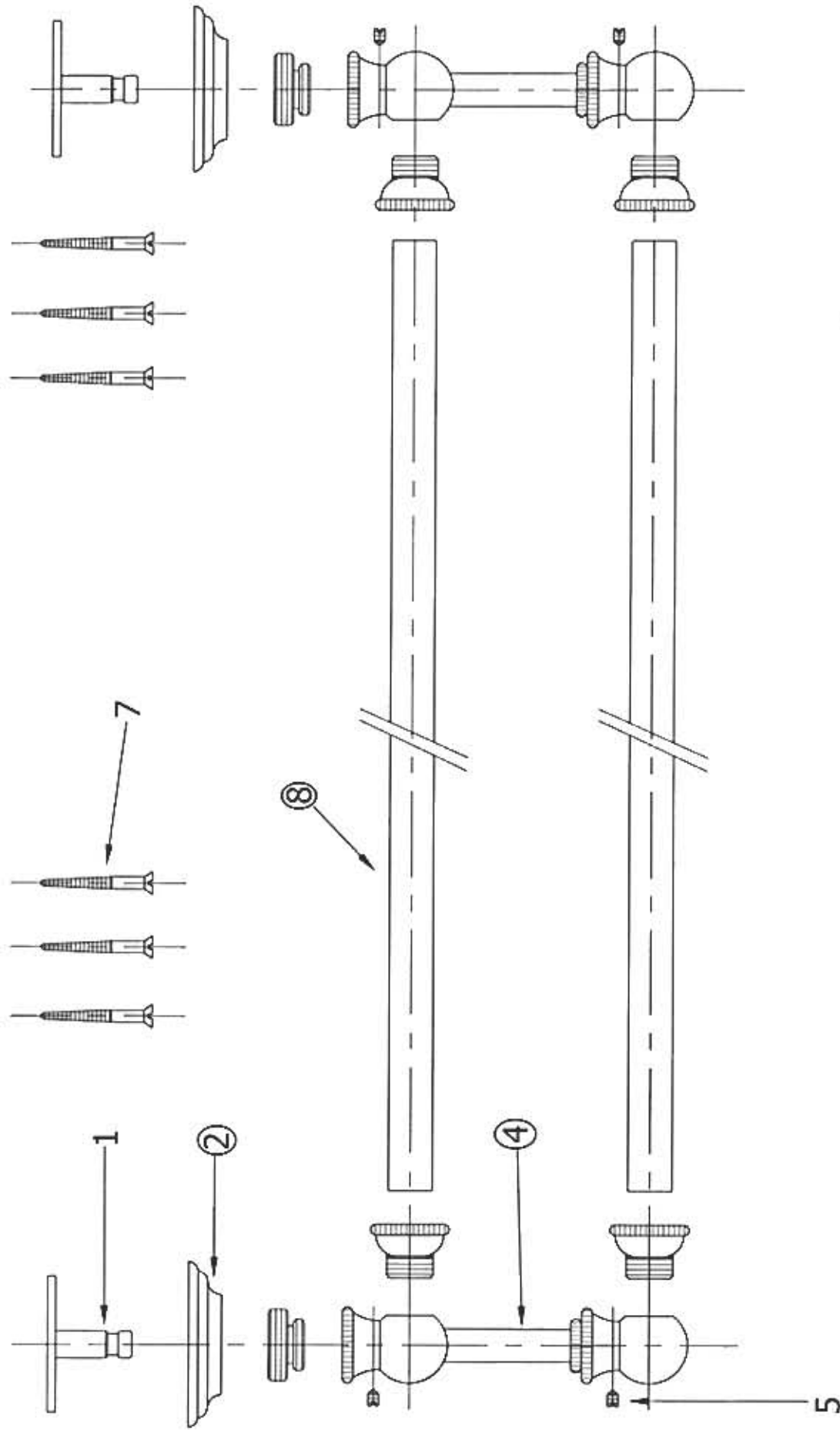


Herbeau
L'Art du Sanitaire depuis 1857

3103 - 'Royale' Double Towel Bar



3103 - 'Royale' Double Towel Bar



○ - Finished Pieces