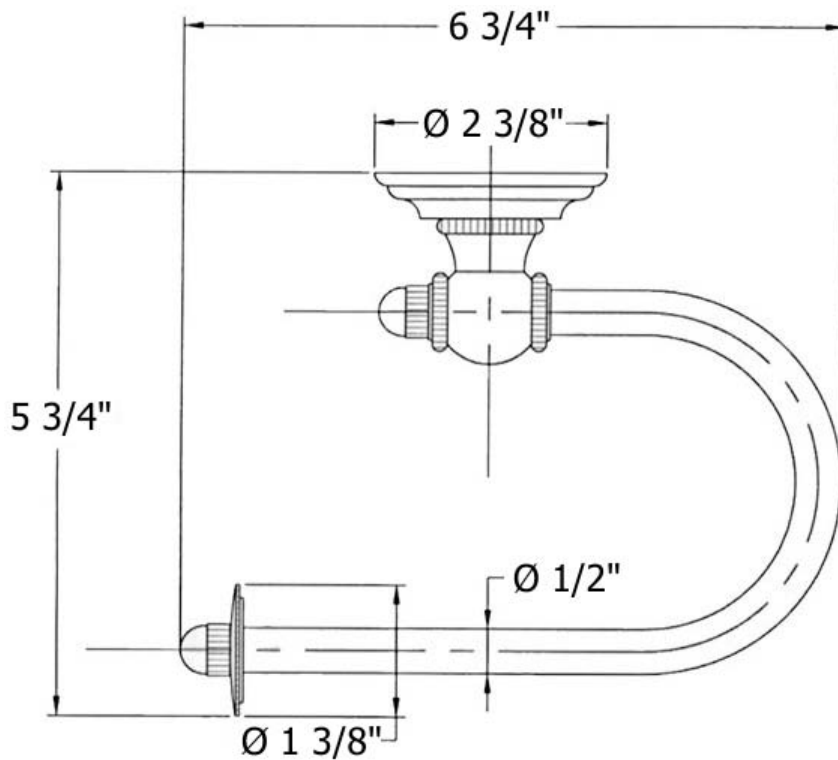


3120 - 'Royale' Tissue Holder



Part#	Description

Technical Information

- Available finishes are Polished Chrome(48), Solibrass(49), Old Gold(52), Old Silver(53), Polished Brass(55), Polished Nickel(56), Brushed Nickel(57), Satin Nickel(60), and Weathered Brass(70)
- Please see cleaning instructions for finish care and maintenance information

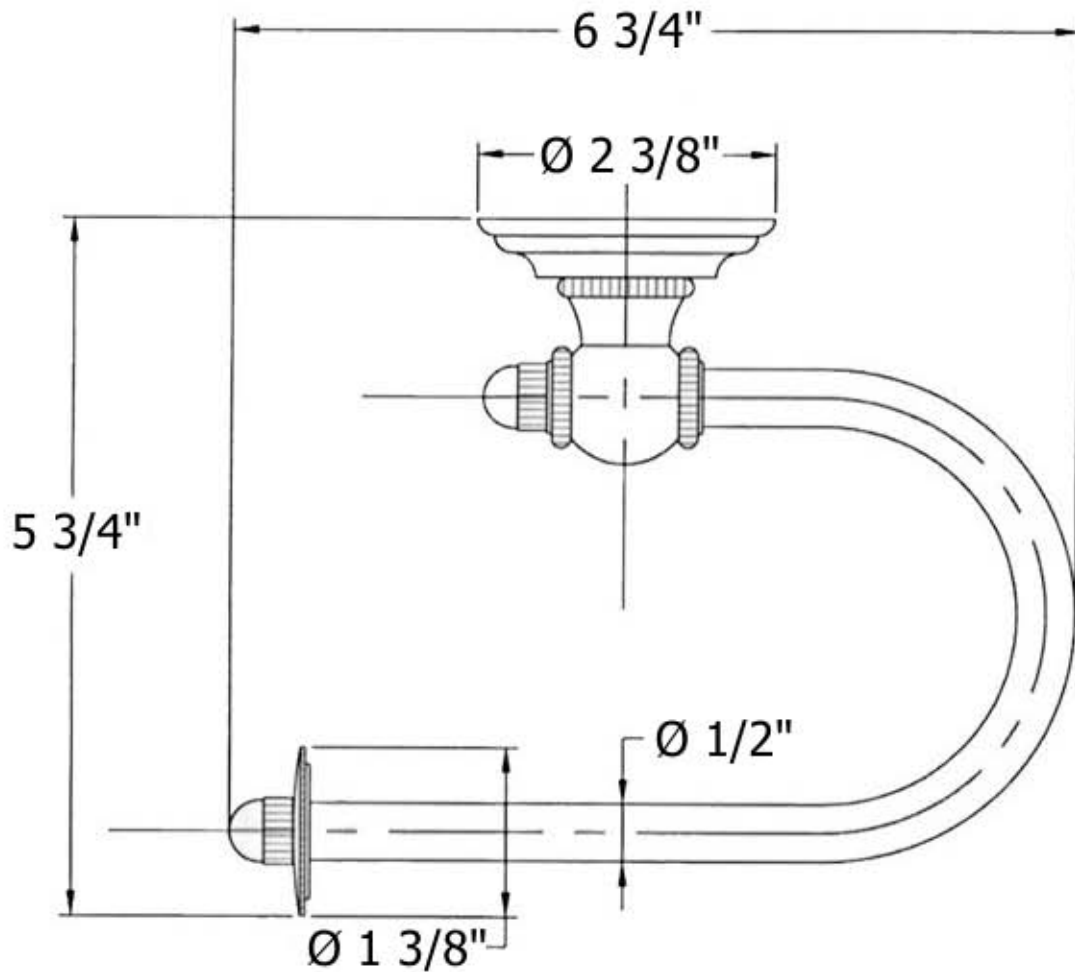
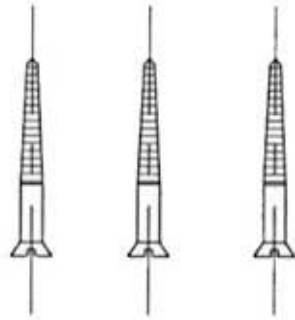
Part#	Description
1	Mounting Screws
2	Mounting Plate
3	Escutcheon
4	Connection For Escutcheon
5	Plastic Washer
6	Short Threaded Stem
7	Finished Paper Holder
8	Long Threaded Stem
9	Sleeve
10	End Caps
11	Body
12	Set Screws
13	Body Finials

Please follow example when ordering parts for 'Royale' Tissue Holder

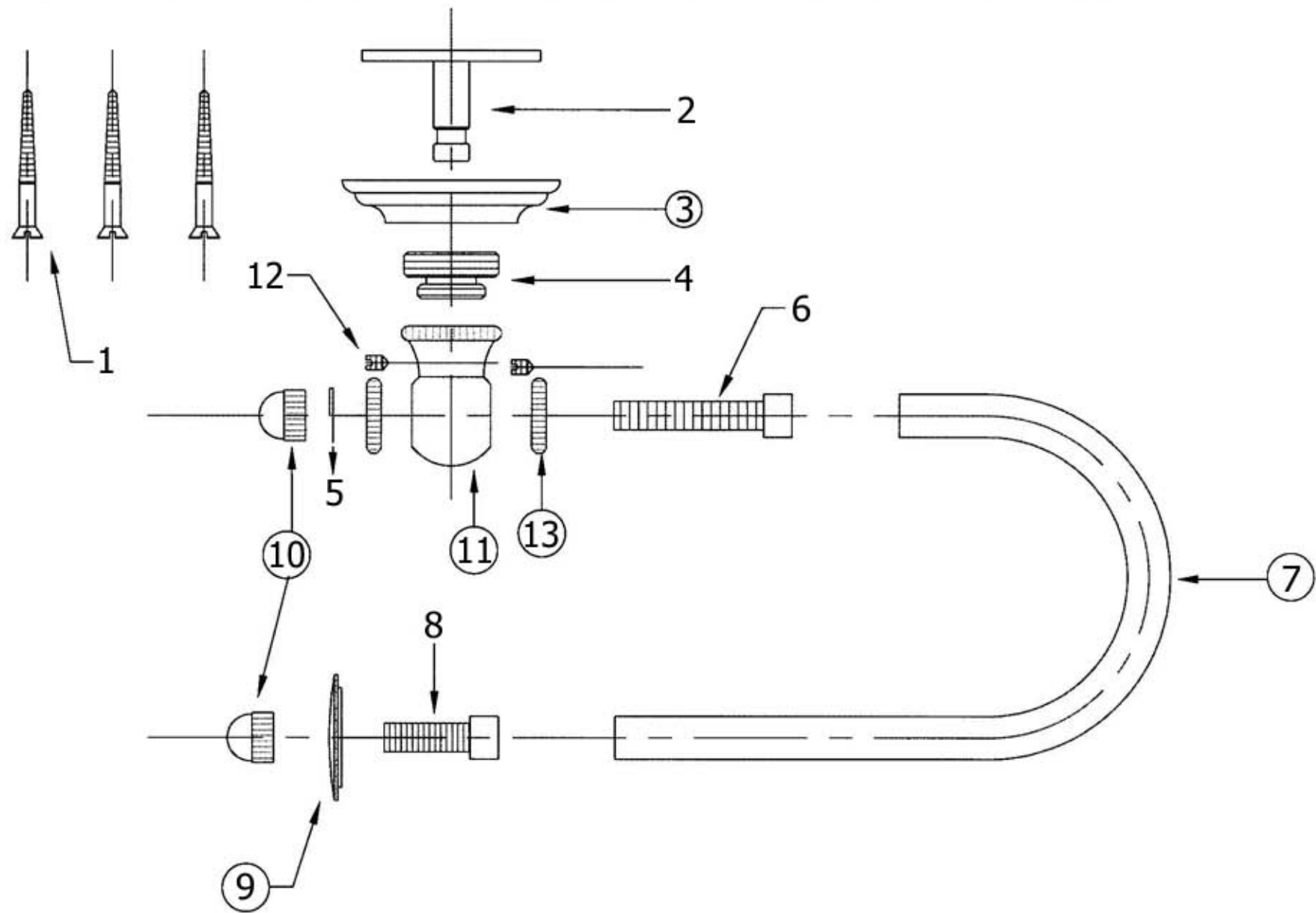
- To order part #10 – End Cap
 - 950109 xx
- Please substitute finish number needed in place of xx.
- To order a part that is not finished use 00



3120 - 'Royale' Tissue Holder



3120 - 'Royale' Tissue Holder



○ Polished pieces