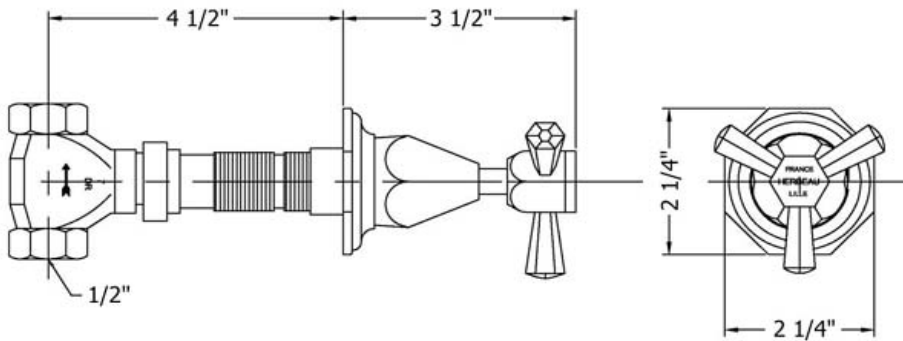


# 3645 - 'Monarque' Wall Valve 1/2"

Part#	Description
12	Handle Screw
13	Monarque Indice Insert
14	Rubber O-Ring
15	Ceramic Indice
16	Flat Rubber Washer
85	1/2" cartridge



## Technical Information

- 8" Rose
- Tub Spout Flow Rate Approx. 8.7 GPM
- Handspray Flow Rate Approx. 3.0 GPM
- 8" Showerhead Flow Rate Approx. 3.0 GPM
- Flow Rates Are Based On Use Of 3/4" Supply Lines And Will Vary Depending On Water Pressure
- Integral Shutoff Valves
- 3/4" Connections
- 19 GPM @ 60 PSI (4 Bars)
- 5' Hand Shower Hose
- Available finishes are Polished Chrome(48), Solibrass(49), Polished Brass(55), Polished Nickel(56), Brushed Nickel(57), Satin Nickel(60), and Weathered Brass(70)
- Please see cleaning instructions for finish care and maintenance information

Part#	Description
01	Valve Body
02	1/2" Adapter
03	Brass Octagon Tube
04	Brass Extension
05	Rubber O-Ring
06	Wall Escutcheon
07	Inner Trim Housing
08	Monarque Cartridge Dome
09	Handle Stem
10	Monarque Handle Center
11	Monarque Horizontal Handle Center

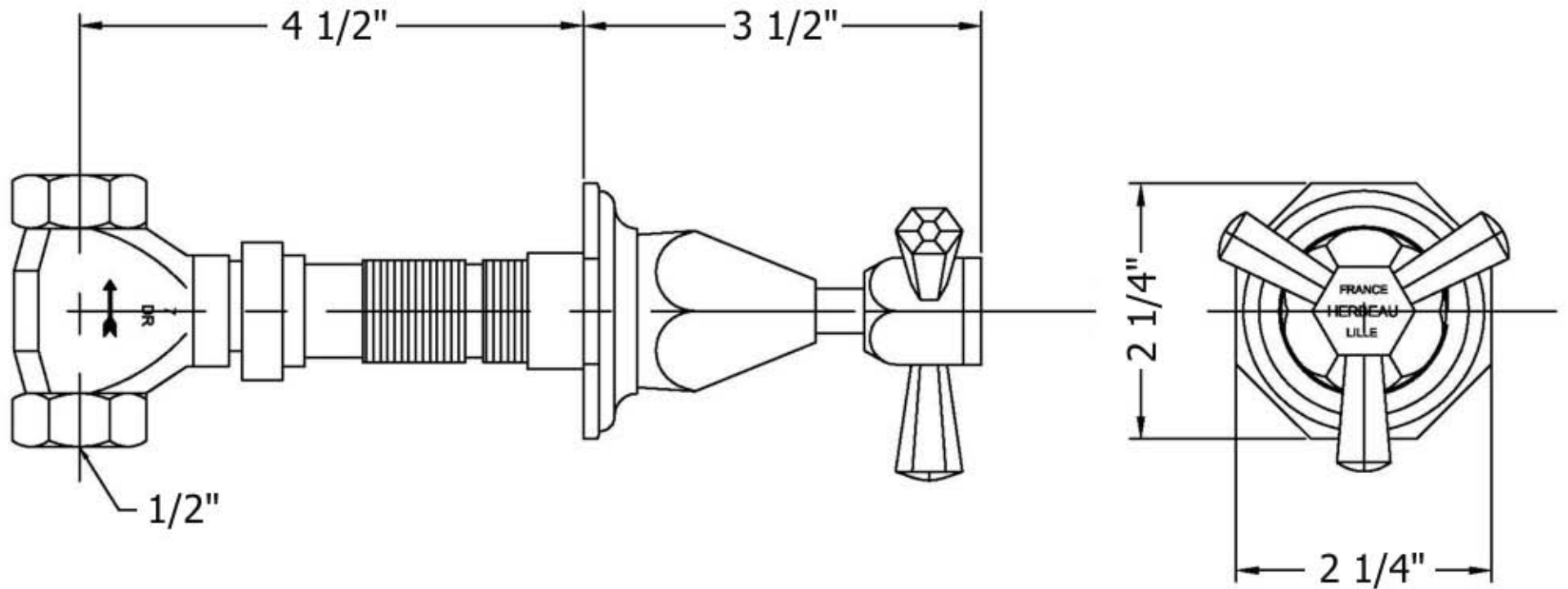
Please follow example when ordering parts for 'Monarque' Wall Valve 1/2"

- To order part #08 – Monarque Cartridge Dome
  - 9364508 XX
- Please substitute finish number needed in place of XX.
- To order a part that is not finished use 00



Herbeau®  
L'Art du Sanitaire depuis 1857

# 3645 - 'Monarque' Wall Valve 1/2"



# 3645 - 'Monarque' Wall Valve 1/2"

