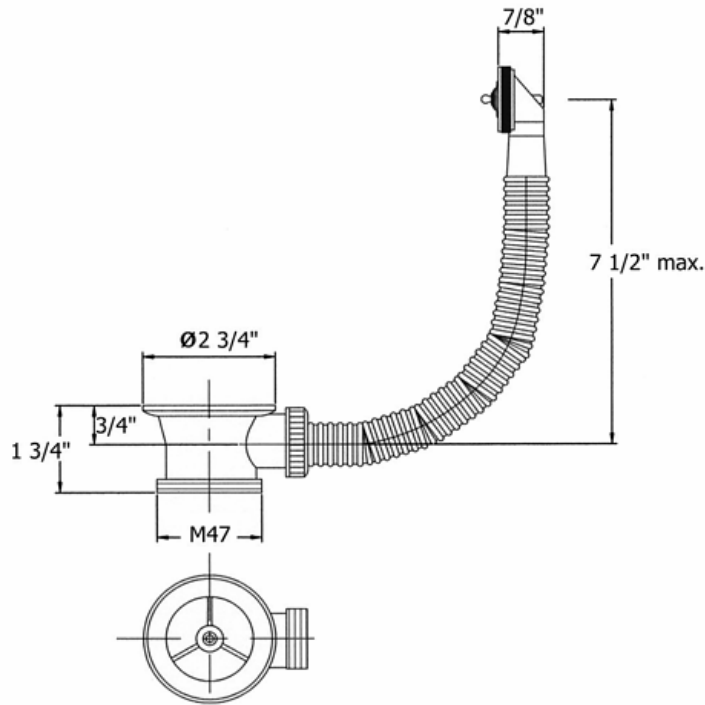


# 4070 – Overflow Set for Stopper Waste



## Technical Information

- Order plug and chain (#2123) separately
- For use with 'Opale', 'Sambre', and 'Meuse'
- Please see cleaning instructions for finish care and maintenance information.

## Part#

## Description

|    |                         |
|----|-------------------------|
| 01 | Rubber O-ring           |
| 02 | Plastic Drain Sleeve    |
| 03 | Plastic Nut             |
| 04 | Plastic Flexible Tube   |
| 05 | Plastic Overflow Sleeve |
| 06 | Rubber O-ring           |
| 07 | Finished Ring           |
| 08 | Finished Chain Bracket  |

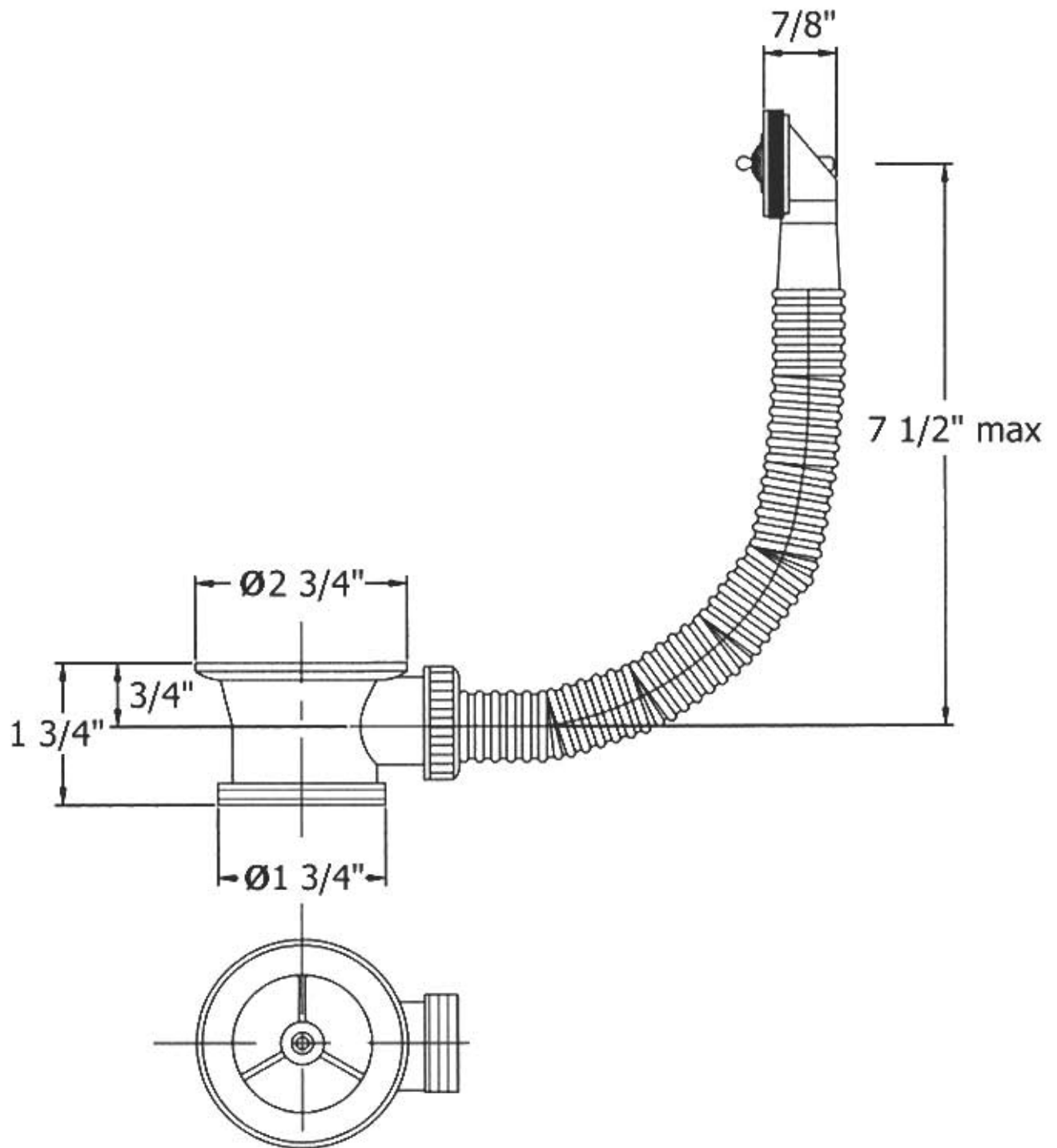
Please follow example when ordering parts for Overflow Set.

- To order part#02 – **Plastic Drain Sleeve**
  - 9407002xx
- Please substitute finish number needed in place of **xx**.
- To order a part that is not finished use **00**

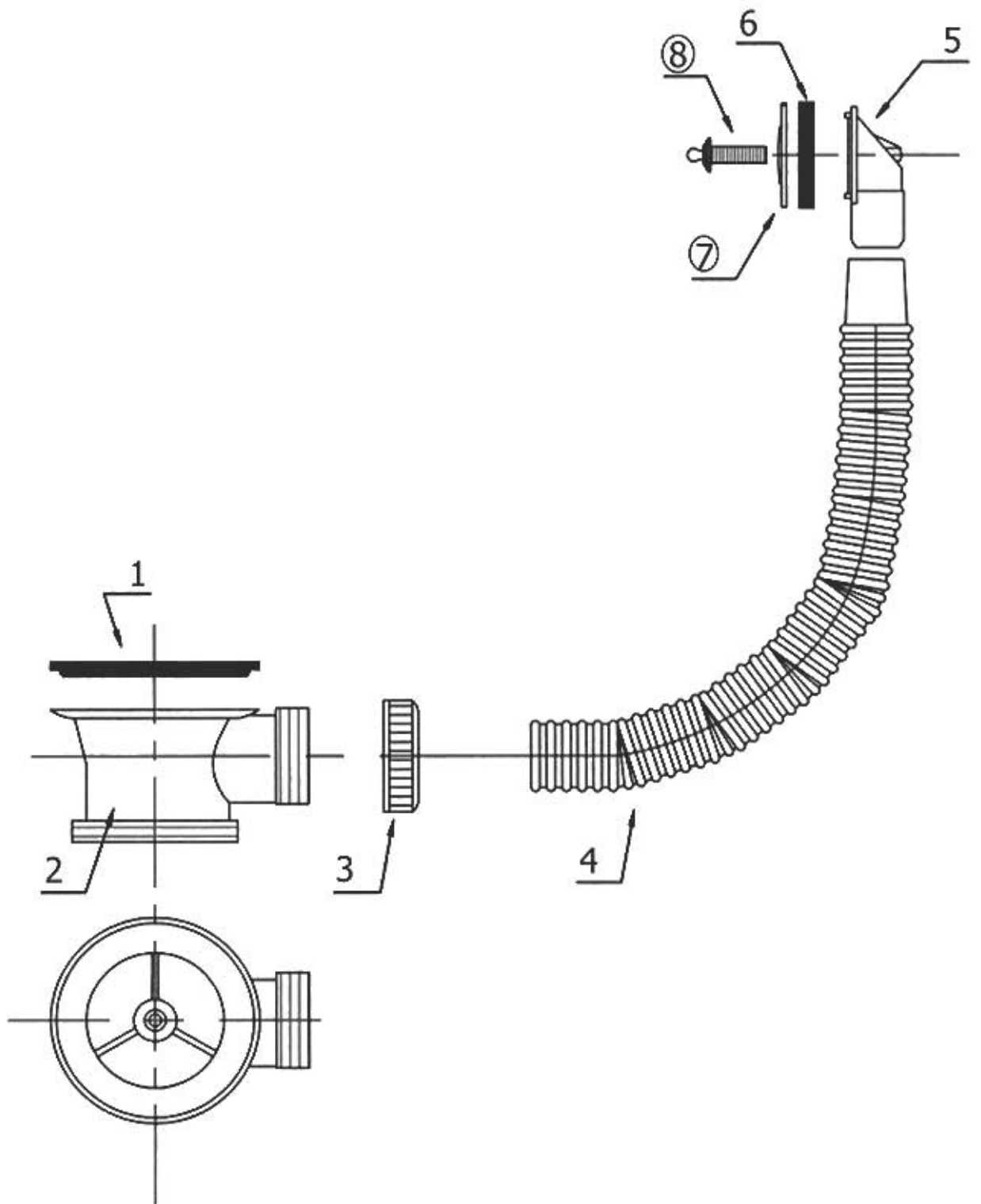


**Herbeau**  
L'Art du Sanitaire depuis 1857

# 4070 - Overflow Set for Stopper Waste



# 4070 - Overflow Set for Stopper Waste



○ - Finished Pieces