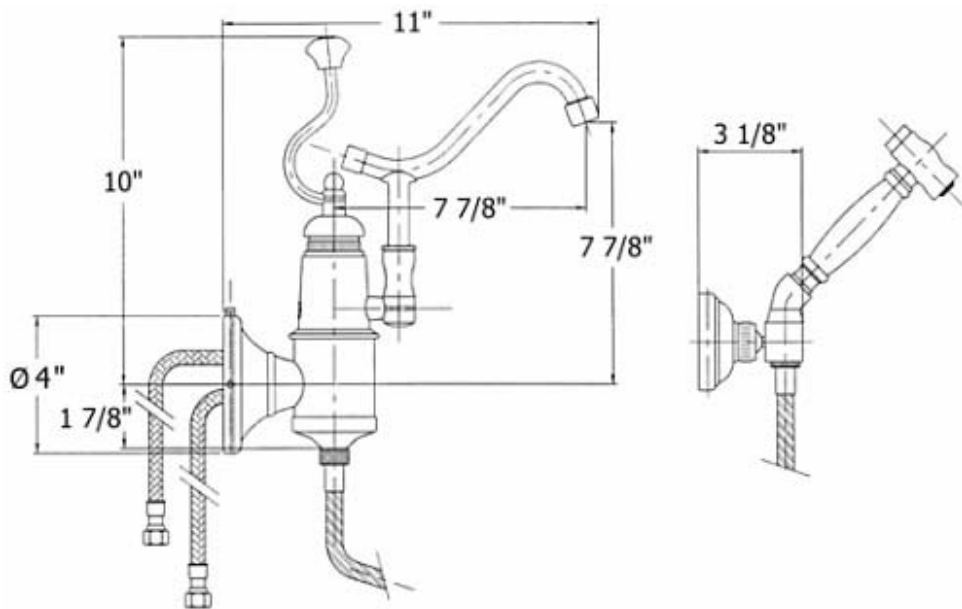


4108 - 'De Dion Single Lever Mixer Wall Mounted With Spray



Part#	Description
29	30" X 3/8" Flexible Supply Hoses
34	Rubber O-Rings
37	Finished back flow connector
54	Hand spray elbow
55	Rubber o-ring
56	Hand spray coupler
57	Wood/Ceramic hand spray handle
58	Threaded hand spray stem
59	Rubber o-ring
60	Hand spray button
61	Hand spray head
61'	Hand spray flange F/Ceramic option
62	Rubber o-rings
63	Rubber o-rings
64	Metal spring
65	Brass insert
66	Aerator cover
67	Finished aerator screw
68	Plastic aerator inserts
69	Brass cylinder
70	Brass piston
71	Finished Nuts
72	Threaded Stem
73	Mounting Plate
74	Lower Body with Wall Escutcheon
75	Hand spray outlet
76	Brass Dome
77	1/2" washers
78	Finished hand spray hose
79	Mounting screw kit
80	Wall mount plate
81	Escutcheon set screws
82	Wall support coil
83	Wall support disc
84	Hand spray escutcheon
85	Hand spray wall mount elbow
91	De Dion complete handle set
92	Complete hand spray & hose set
93	Complete hand spray wall bracket

Technical Information

- Flow rate is 2.2 GPM
- Ceramic cartridge
- For complete De Dion handle set, please order part #95013163XX(63=WOOD HANDLE, XX=FINISH CODE) OR 95013120XX(20=CERAMIC HANDLE, XX=FINISH CODE)
- For complete hand spray & hose, order part #450863XX OR 450820XX
- For complete hand spray wall bracket, order part #3262XX
- 30" X 3/8" flexible supply hoses
- Available finishes are Polished Brass(55), Polished Nickel(56), Brushed Nickel(57), Polished Copper & Brass(58), Weathered Copper & Brass(59), Satin Nickel(60)
- Please see cleaning instructions for finish care and maintenance information
- Faucet Ships With Wood Handles (63). Specify (20) For Ceramic Handles

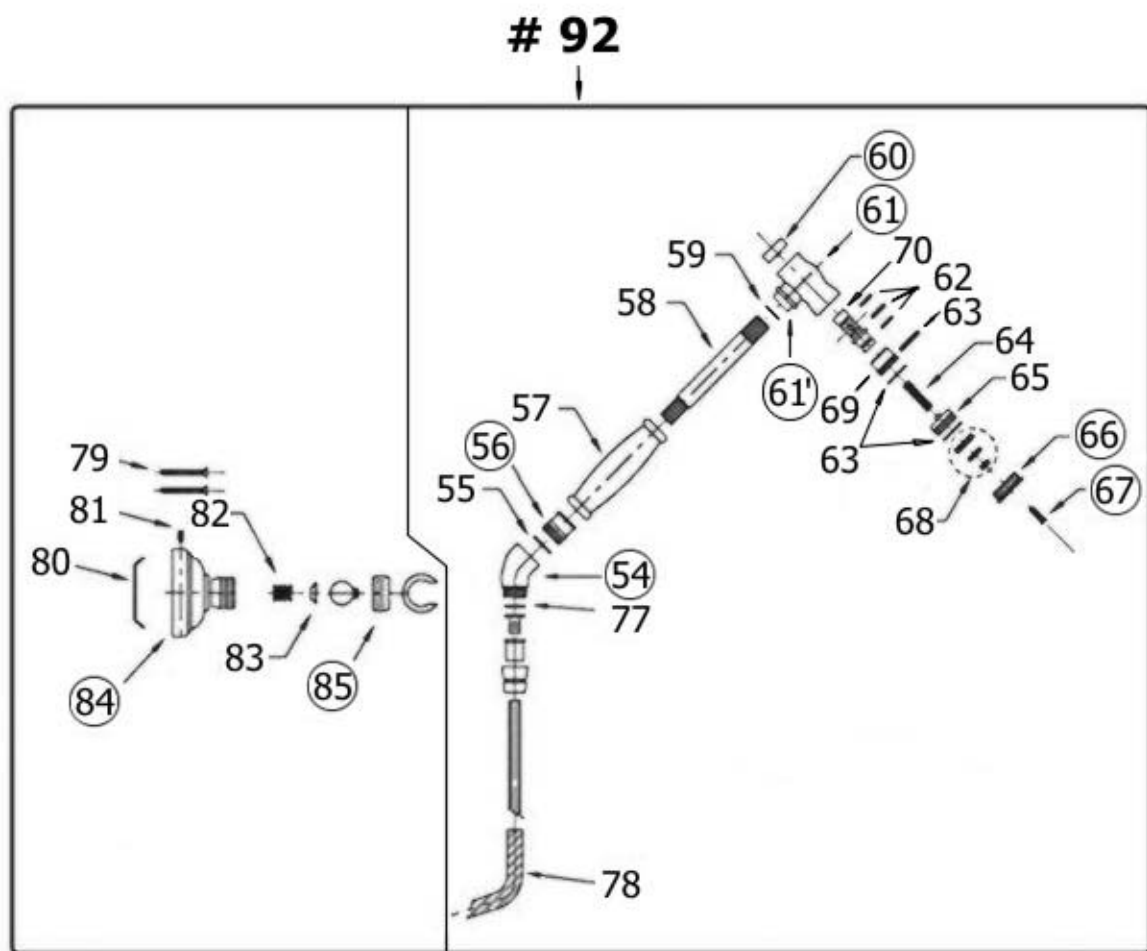
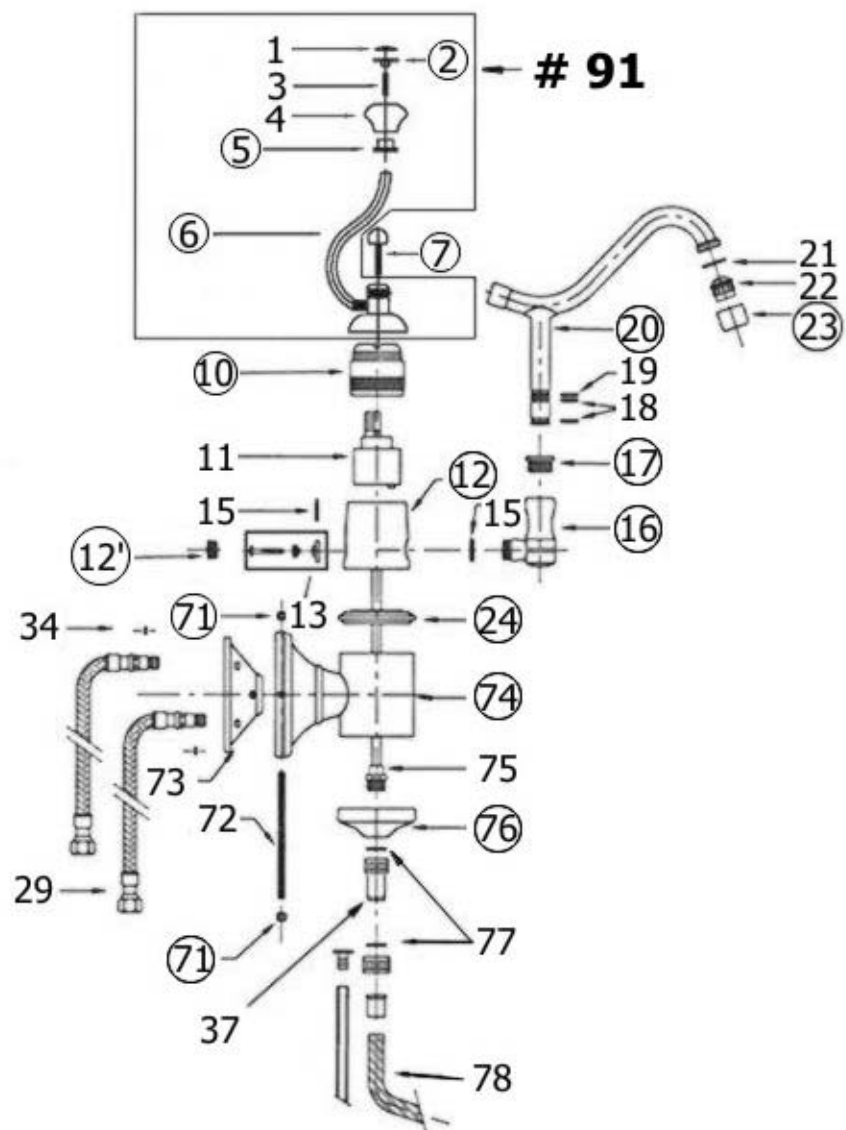
Part#	Description
1	Ceramic Insert
2	Dec. Finished Nut
3	Threaded Stem
4	Finished Wood Knob
5	Finished Metal Sleeve
6	Handle Stem
7	Round Screw
10	Cartridge Holding Nut
11	Ceramic Cartridge
12	Upper Body
12	Diverter Access Screw
13	Diverter kit
15	Rubber O-Rings
16	Spout Elbow
17	Swan Nut
18	Spout O-Rings
19	Nylon Clip
20	Spout
21	Aerator Washer
22	Aerator Filter
23	Aerator Cover
24	Upper Escutcheon Ring

Please follow example when ordering parts for 'De Dion' Mixer.

- To order part #20 – **Spout**
 - 9410820 xx
- Please substitute finish number needed in place of **XX**.
- To order a part that is not finished use **00**



4108 - 'De Dion' Single Lever Mixer Wall Mounted with Spray



○ - Finished Pieces

4108 - 'De Dion' Wall Mounted with Hand Spray

