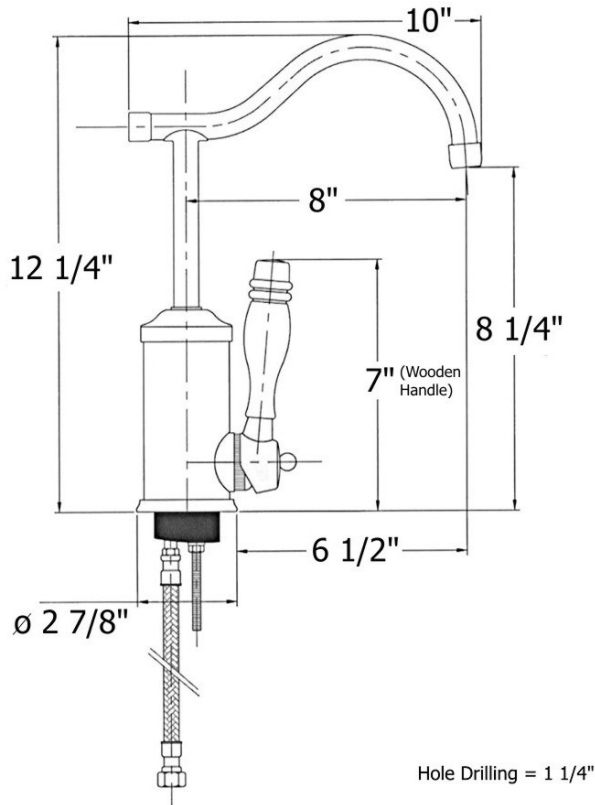


4105 – 'Flamande' Single Lever Mixer



Part #	Description
01	Spout
02	Spout Washer
03	Aerator Filter
04	Aerator Cover
05	Nylon Clip
06	Rubber O-rings
07	Plastic Washer
08	Brass Dome
09	Swan Nut
10	Copper Cylinder
12	Cartridge Holding Nut
13	Handle Base
14	Round Brass Screw
15	Valve Body
16	Brass Ring
17	Rubber Basic Joint
18	Threaded Stem
19	Plastic Block
20	Metal Washer
21	Brass Nut
22	3/8" Flexible Hose
24	Flexible Hose O-ring
25	Ceramic Insert
26	Finished Screw
86	Blue Cartridge
93	Wood Handle

Technical Information

- Requires 1 1/4" hole drilling
- Flow rate is 2.2 GPM
- If counter is thicker than 1 3/4", part#18(Threaded Stem) must be special ordered in a longer size.
- Available finishes are Polished Brass(**55**), Polished Nickel(**56**), Polished Copper & Brass(**58**), Weathered Copper & Brass(**59**), Satin Nickel(**60**)
- Please see cleaning instructions for finish care and maintenance information.
- Faucet ships with wood handle(63),specify(20) for ceramic handle

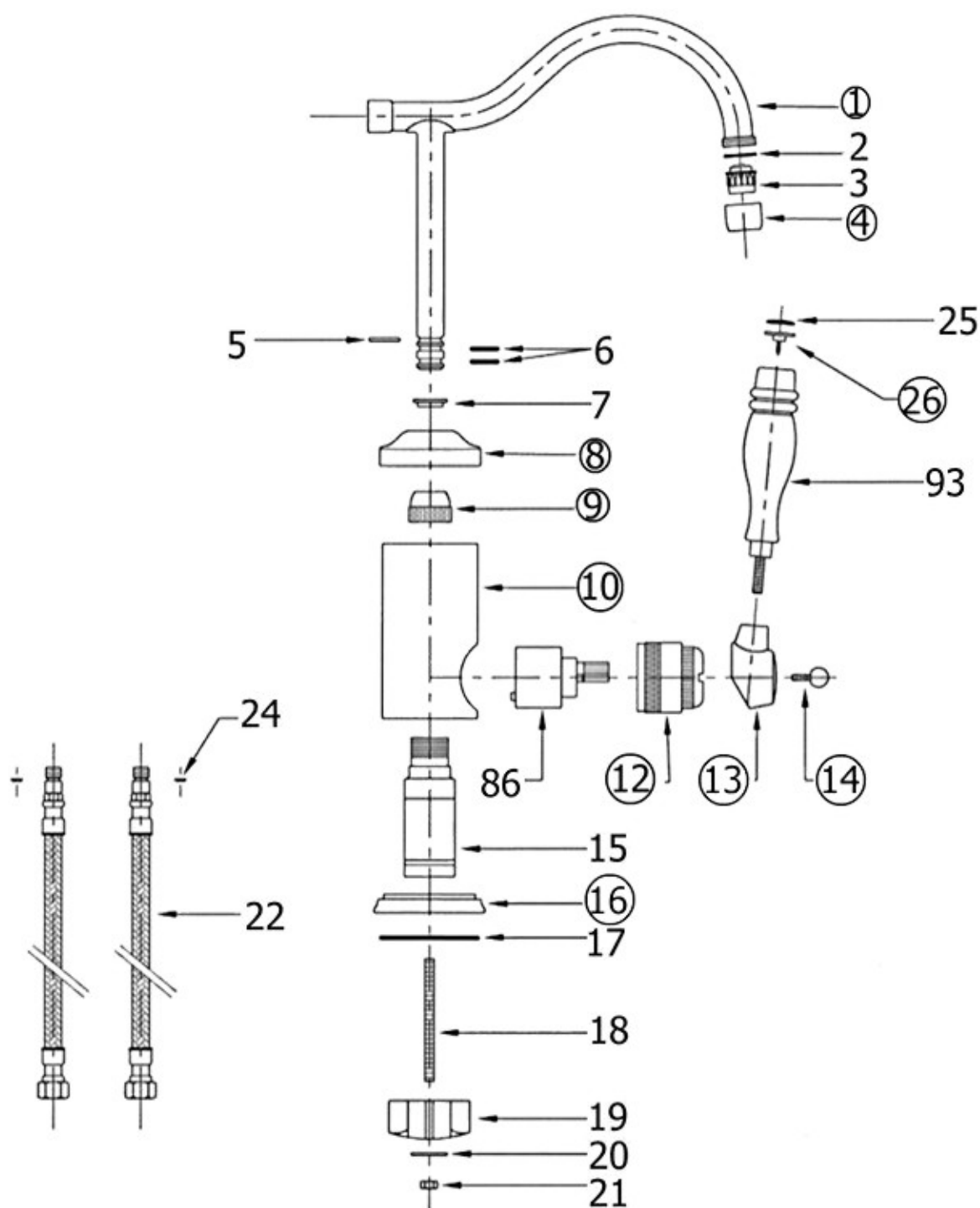
Please follow example when ordering parts for 'Flamande' Mixer.

- To order part#09 – **Swan Nut**
 - **9410509xx**
- Please substitute finish number needed in place of **xx**.
- To order a part that is not finished use **00**



Herbeau
L'Art du Sanitaire depuis 1857

4105 - 'Flamande' Single Lever Mixer



○ - Finished Pieces

4105 - 'Flamande' Single Lever Mixer

