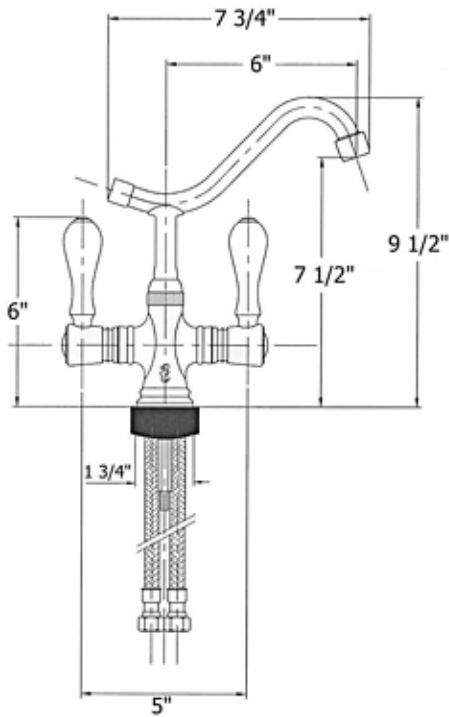


4203 – 'Namur' Single Hole Mixer



Hole Drilling = 1 1/4"

| Part # | Description |
|--------|-------------------------|
| 01 | Handle Screw |
| 02 | Curved Ring |
| 04 | Finished Flange |
| 05 | Handle Socket |
| 06 | Spout |
| 07 | Nylon Clip |
| 08 | Rubber O-rings |
| 09 | Finished Nut |
| 11 | Spout Washer |
| 12 | Aerator Filter |
| 13 | Aerator Cover |
| 14 | Body |
| 16 | Nylon Heat Separator |
| 17 | Flexible Hose O-ring |
| 18 | 3/8" Flexible Hose |
| 20 | Threaded Stem |
| 22 | Tightening Set |
| 81 | Hot 1/4 Turn Cartridge |
| 82 | Cold 1/4 Turn Cartridge |
| 93 | Faucet Handle |

Technical Information

- Requires 1 1/4" hole drilling
- Flow rate is 2.2 GPM
- Available finishes are Polished Brass(**55**), Polished Nickel(**56**), Polished Copper & Brass(**58**), Weathered Copper & Brass(**59**), Satin Nickel(**60**)
- This Faucet normally ships with ceramic handles(**20**). Please specify when ordering if you would prefer wood handles(**63**).
- Please see cleaning instructions for finish care and maintenance information.

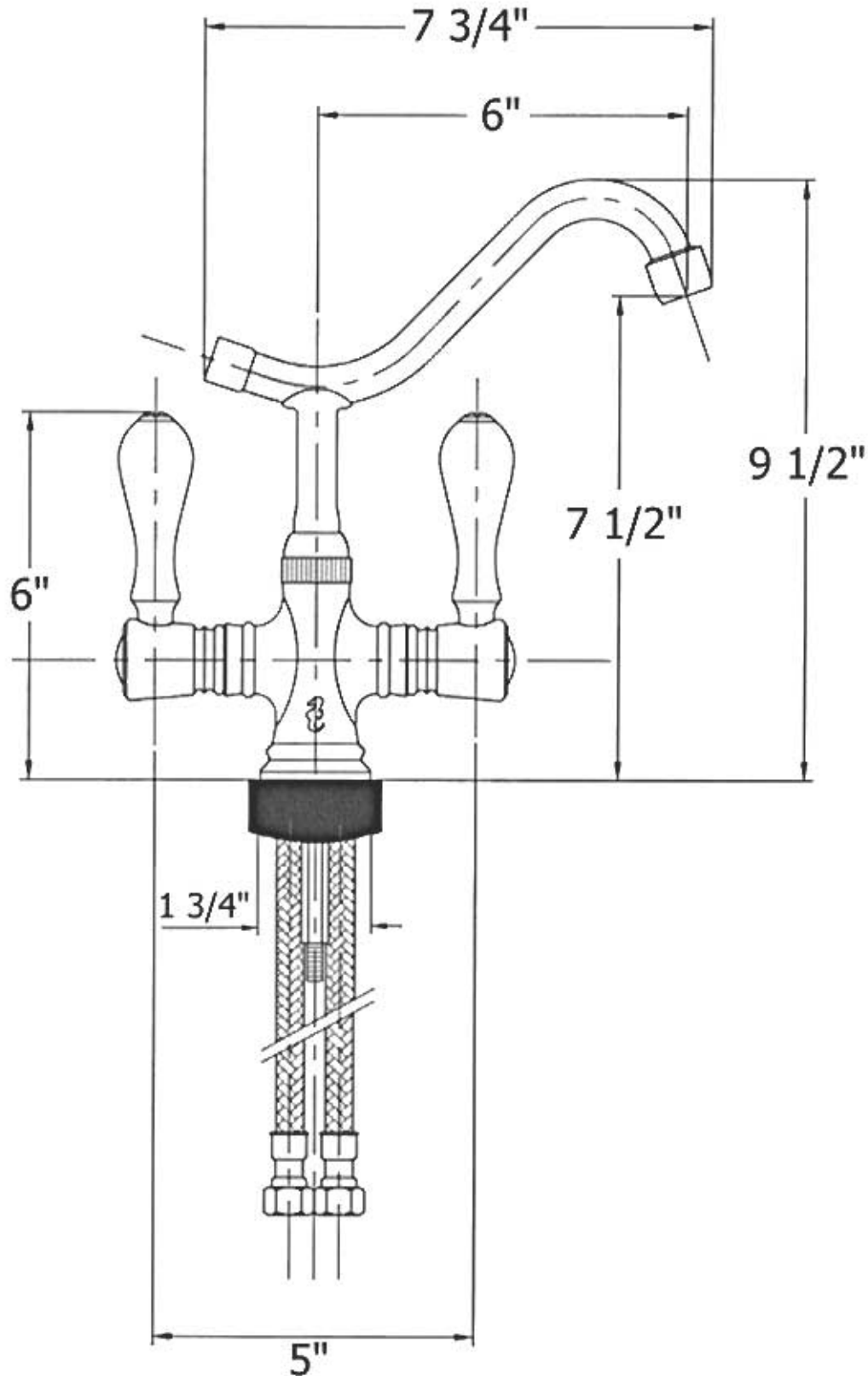
Please follow example when ordering parts for 'Namur' Mixer.

- To order part#01 – **Handle Screw**
 - **9420301xx**
- Please substitute finish number needed in place of **xx**.
- To order a part that is not finished use **00**



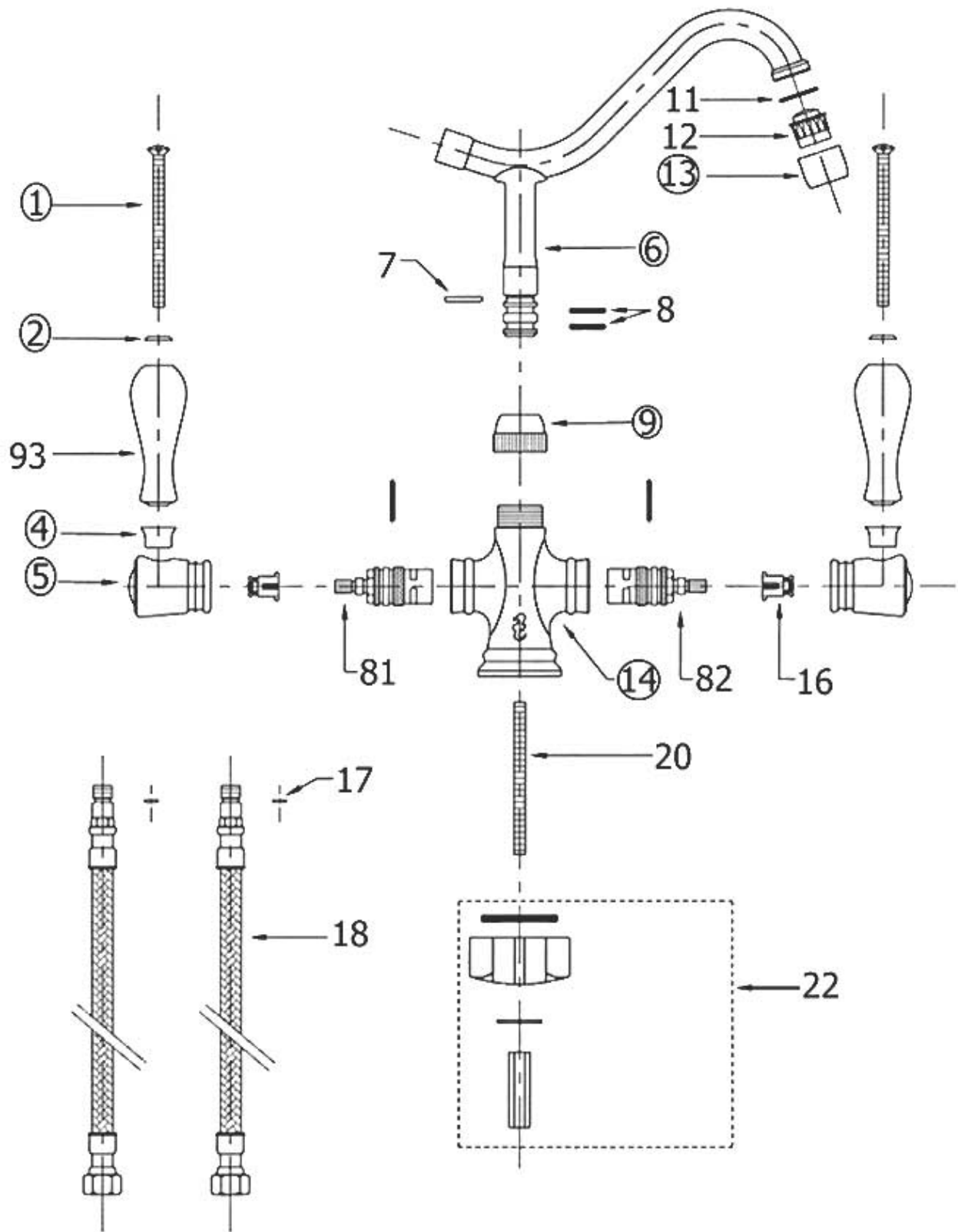
Herbeau
L'Art du Sanitaire depuis 1857

4203 - 'Namur' Single Hole Mixer



Hole Drilling = 1 1/4"

4203 - 'Namur' Single Hole Mixer



○ - Finished Pieces