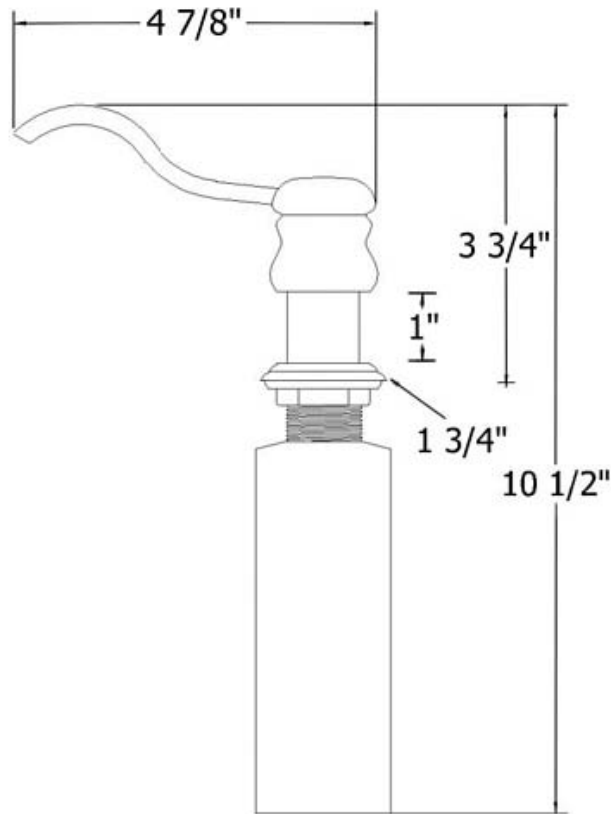


4517 - Soap & Lotion Dispenser



Technical Information

- Available finishes are Polished Brass(55), Polished Nickel(56), Satin Nickel(60), Weathered Brass(70).
- Please see cleaning instructions for finish care and maintenance information.
- Requires 1 1/4" Hole Drilling
- Heavy Duty – Solid Brass

Part#

01
02
03
04
05
06

Description

Finished Spout
Ball Bearing
Pump
Finished Escutcheon
Brass Nut
8oz Plastic Bottle

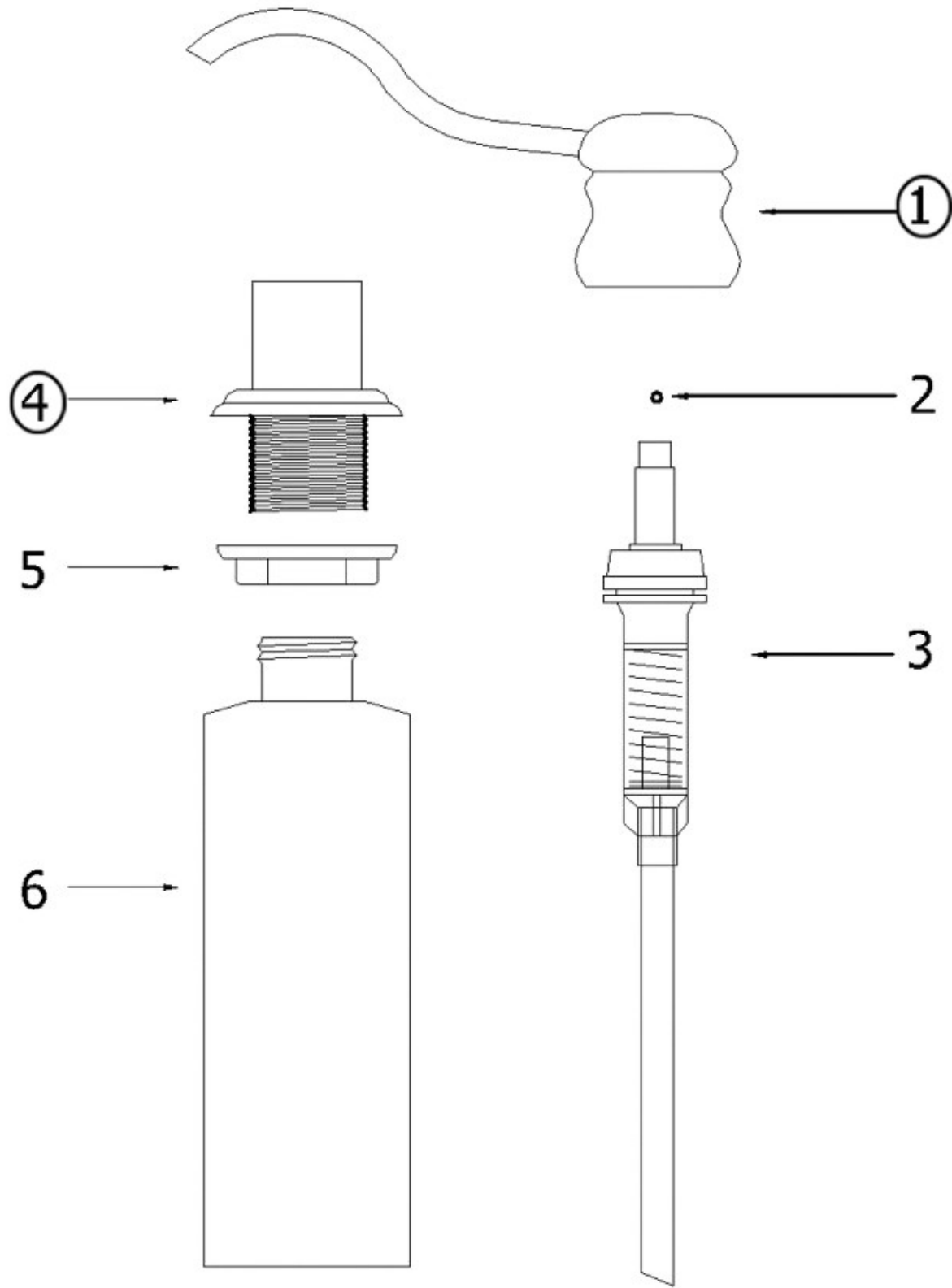
Please follow example when ordering parts for Soap & Lotion Dispenser.

- To order part#02 – **Ball Bearing**
 - 9451702xx
- Please substitute finish number needed in place of **xx**.
- To order a part that is not finished use **00**



Herbeau[®]
L'Art du Sanitaire depuis 1857

4517 - Soap & Lotion Dispenser



○ - Finished Pieces

4517 - Soap & Lotion Dispenser

