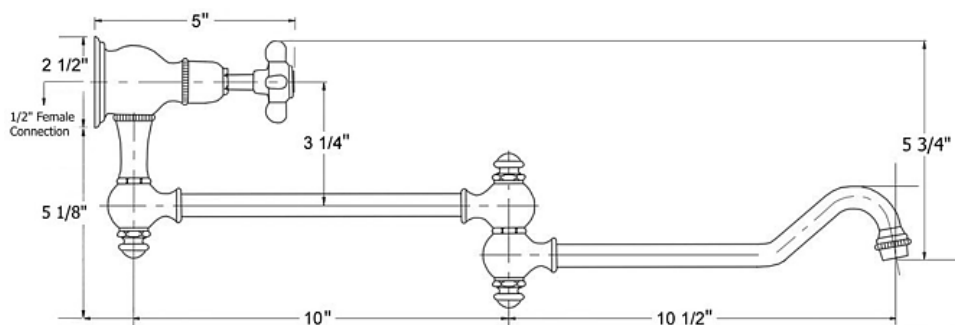


3029 - 'Royale' Pot Filler

Part#	Description
24	Aerator Cover
91	Royale Finished Ceramic Insert Black Logo



Technical Information

- IAPMO: NSF/ANSI 61, NSF/ANSI 372 & ASME A112.18.1/CSA B125.1 certified.
- Uses Flühs ceramic cartridge.
- Maximum flow rate is 1.2 GPM with new low flow restrictor.
- 20 1/2" C.T.C. spout length.
- 21 1/2" projection.
- Swiveling spout.
- Available finishes are French Weathered Brass (47), Polished Chrome (48), SoliBrass (49), Lacquered Matte Black Nickel (50), Polished Brass (55), Polished Nickel (56), Brushed Nickel (57), Satin Nickel (60), Antique Lacquered Copper (67), Antique Lacquered Brass (68), Weathered Brass (70), Lacquered Polished Black Nickel (71) and Lacquered Polished Copper (80).
- Please See Cleaning Instructions: <http://herbeau.com/CleaningAll.pdf> For Finish Care and Maintenance Information.

Part#	Description
01	1/2" Female Connector
02	Flat Rubber Washer
03	Escutcheon
04	Valve Body
05	1/2 Turn Ceramic Ecobrass Cartridge
06	Bell Escutcheon
07	Handle Stem
08	Cross Handle
09	Washer
10	Handle Screw
11	Rubber O-Ring
12	Finished Insert Holder
13	Black Logo Ceramic Insert
14	Body – Ecobrass
15	Sealing Screw
16	Spout O-Ring
17	Arm & Spout
18	Finished Washer
19	Top Knob
20	Central Pivot Assembly
22	Aerator Washer
23	Aerator Filter

Please follow example when ordering parts for 'Royale' Pot Filler

- To order part #8 – Cross Handle

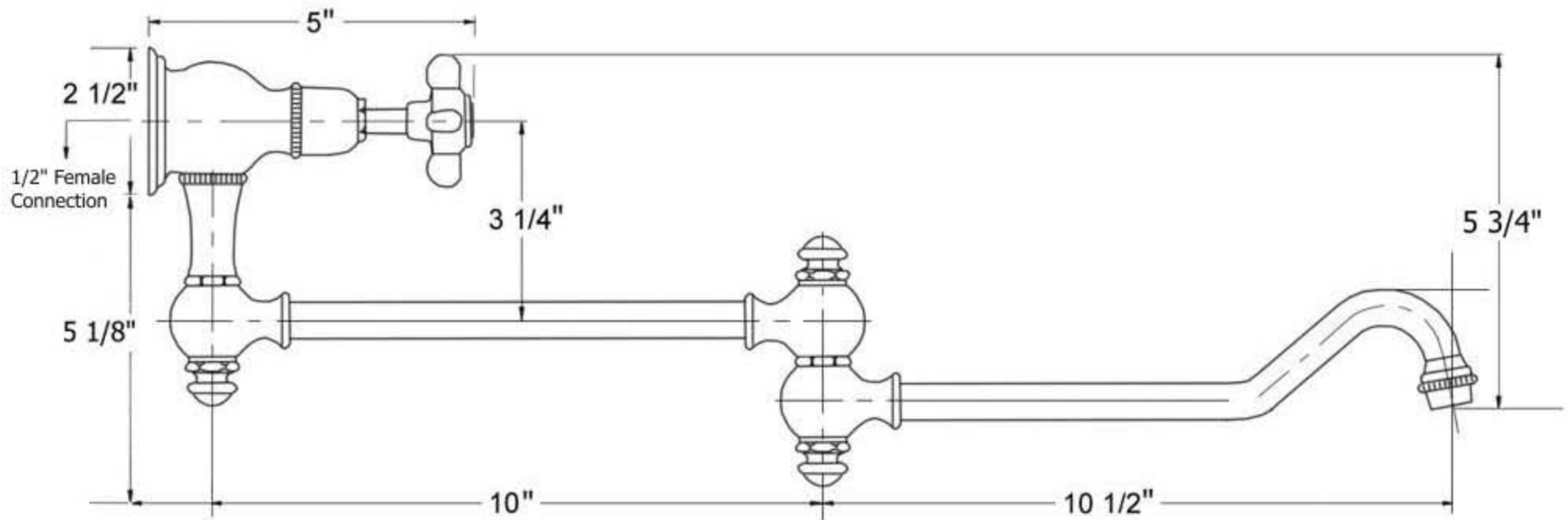
○ 950064xx

- Please substitute finish number needed in place of **xx**



Herbeau[®]
L'Art du Sanitaire depuis 1857

3029 - 'Royale' Pot Filler

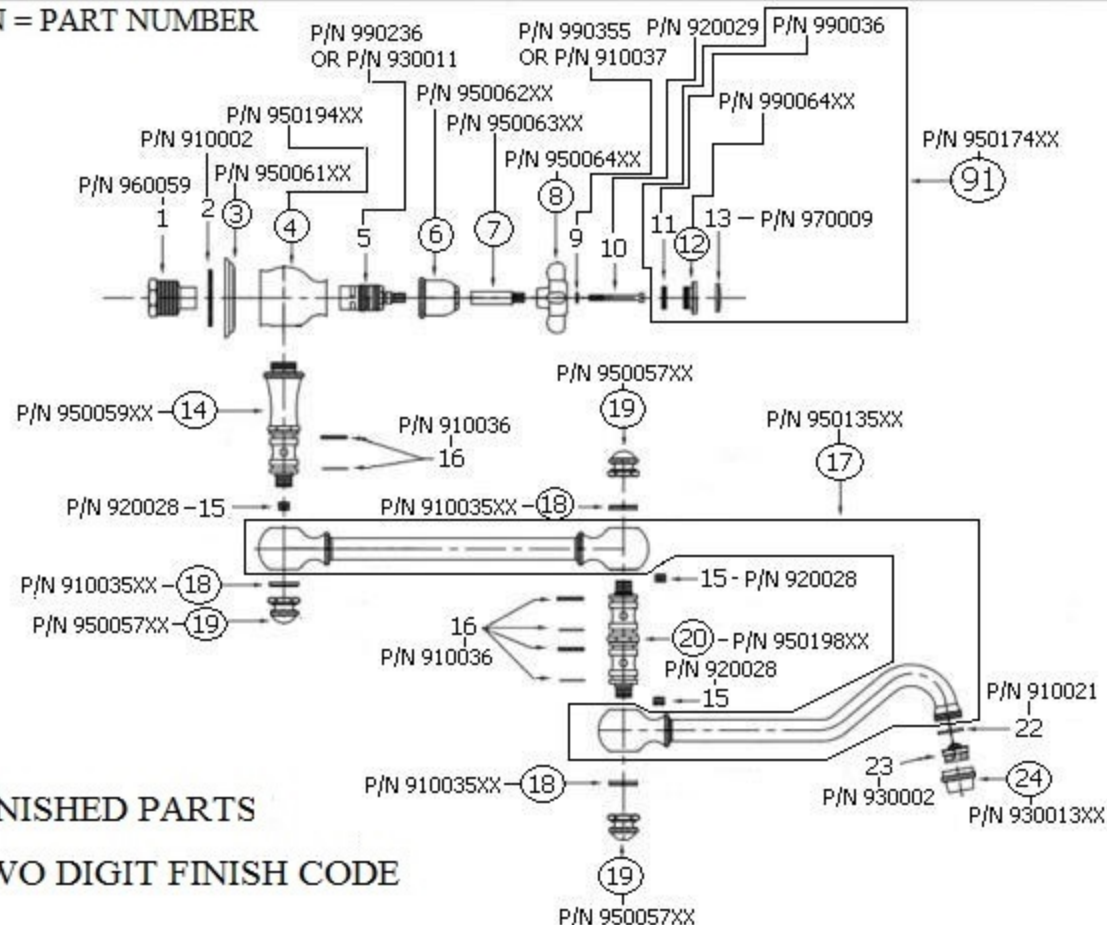


Copyright©2017 Herbeau Creations. All rights reserved. All product and specifications are subject to change without notice. Herbeau Creations is not responsible for typographical and/or dimensional errors. Typographical errors are subject to correction.

3029 - 'Royale' Pot Filler

*990236 CARTRIDGES FOR FAUCETS MADE AFTER 2009.
*930011 CARTRIDGES GOOD FOR ALL YEARS

*P/N = PART NUMBER



Copyright©2017 Herbeau Creations. All rights reserved. All product and specifications are subject to change without notice. Herbeau Creations is not responsible for typographical and/or dimensional errors. Typographical errors are subject to correction.