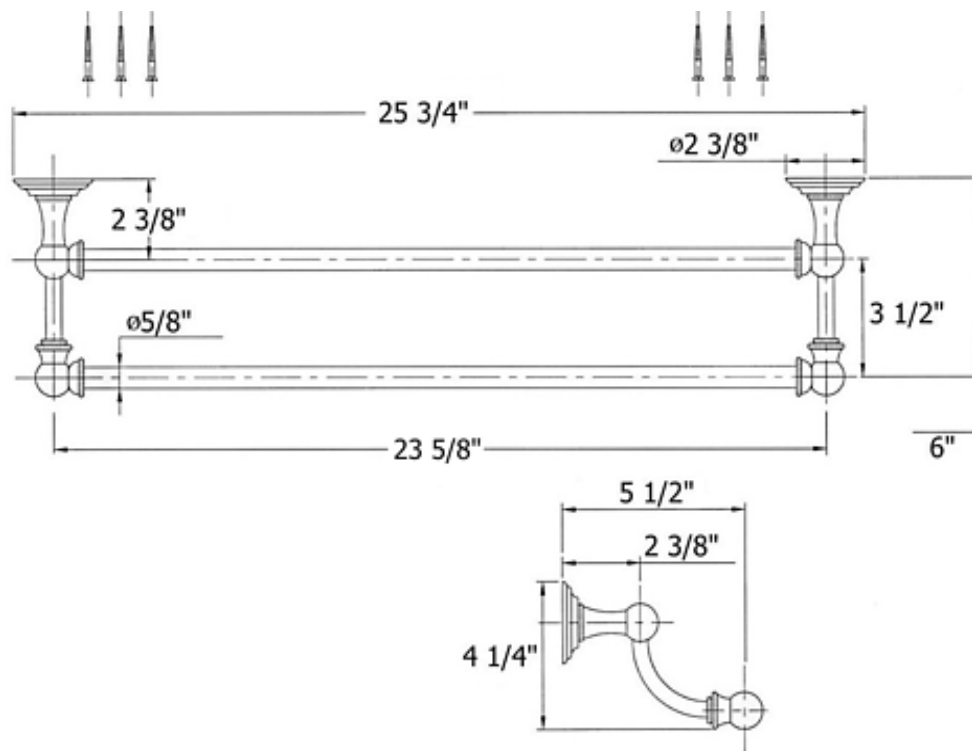


3103 – ‘Royale’ Double Towel Bar



Technical Information

- Bar can be cut to size.
- Available finishes are French Weathered Brass (**47**), Polished Chrome (**48**), SoliBrass (**49**), Lacquered Matte Black Nickel (**50**), Old Gold (**52**), Old Silver (**53**), Polished Brass (**55**), Polished Nickel (**56**), Brushed Nickel (**57**), Satin Nickel (**60**), Antique Lacquered Copper (**67**), Antique Lacquered Brass (**68**), Weathered Brass (**70**), Lacquered Polished Black Nickel (**71**) and Lacquered Polished Copper (**80**).
- Please See Cleaning Instructions: <http://herbeau.com/CleaningAll.pdf> For Finish Care and Maintenance Information.

Part#

- | Part# | Description |
|-------|--------------------------------|
| 01 | Mounting Plate |
| 02 | Escutcheon |
| 03 | Connection For Escutcheon |
| 04 | Right Side Bracket |
| 05 | Set Screw |
| 06 | Coupling For Side Bar |
| 07 | Mounting Screw Kit |
| 08 | 18", 24" or 30" Towel Bar Only |
| 09 | Left Side Bracket |

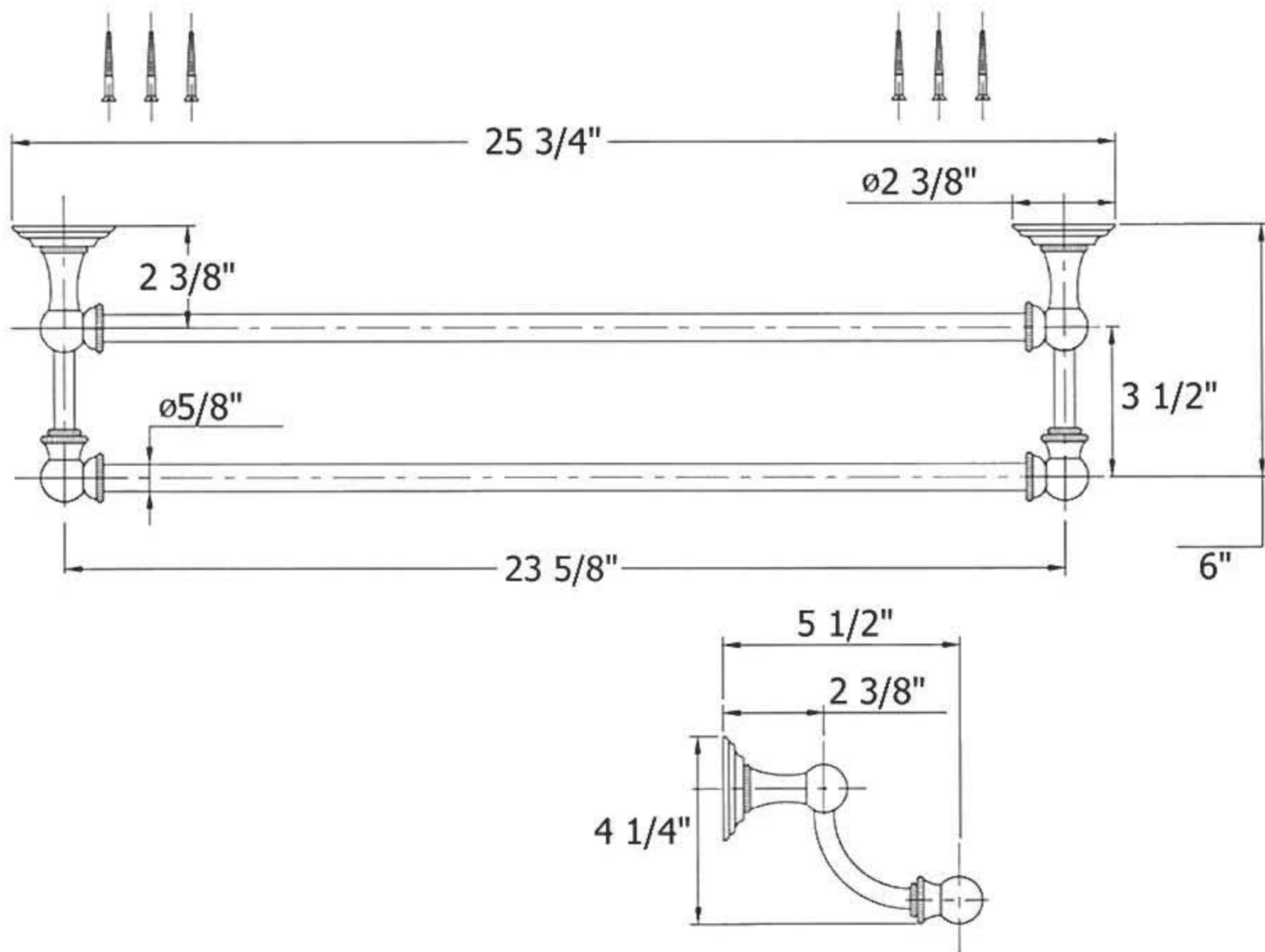
Please follow example when ordering parts for ‘Royale’ Double Towel Bar

- To order part#02 – Escutcheon
 - 950070xx
- Please substitute finish number needed in place of xx



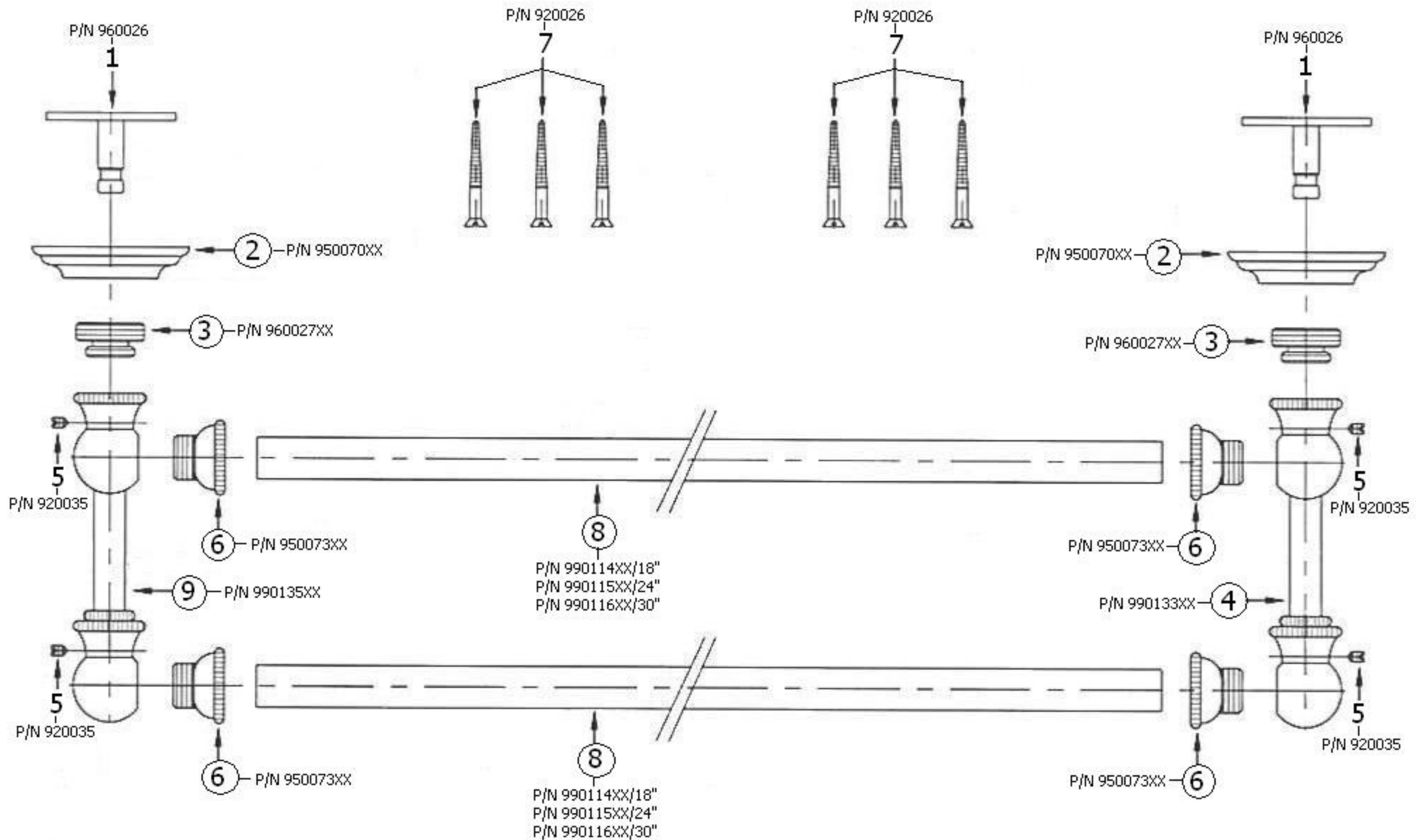
Herbeau[®]
L'Art du Sanitaire depuis 1857

3103 - 'Royale' Double Towel Bar



3103 - 'Royale' Double Towel Bar

*P/N = PART NUMBER



○ = FINISHED PARTS
XX = TWO DIGIT FINISH CODE