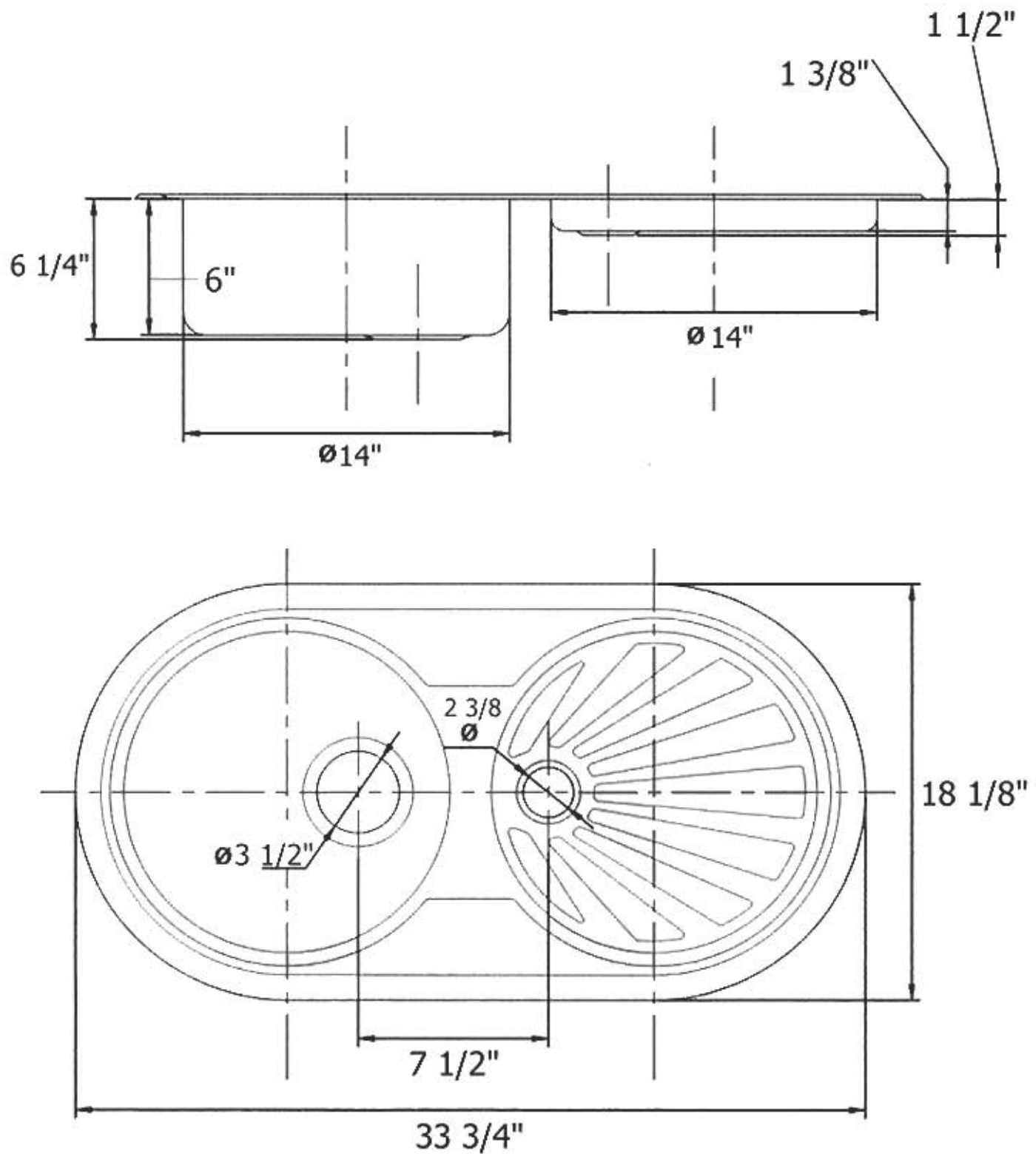


4401 - 'Mayenne' Cylindrical Sink



Gauge = 1mm