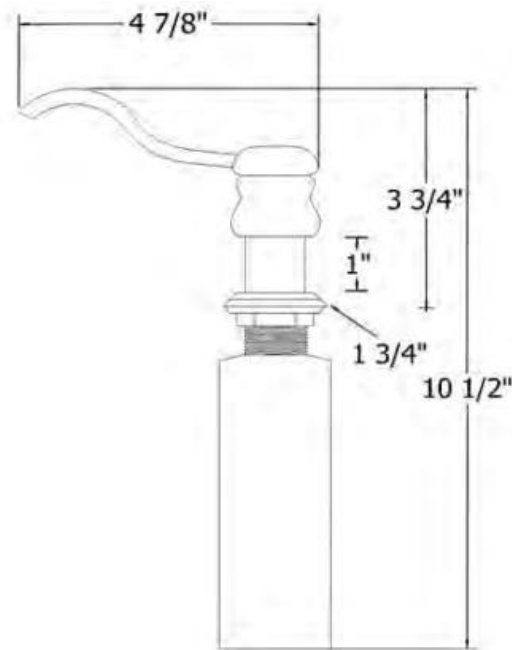


# 4517 – Soap & Lotion Dispenser



## Technical Information

- Heavy duty – solid brass.
- Requires 1 ¼” hole drilling.
- For countertops 1 ¼” thick or less.
- Extension available. Order (EXT-4517).
- Available finishes are French Weathered Copper (46), French Weathered Brass (47), Polished Chrome (48), SoliBrass (49), Lacquered Matte Black Nickel (50), Polished Brass (55), Polished Nickel (56), Brushed Nickel (57), Polished Copper (58), Weathered Copper (59), Satin Nickel (60), Antique Lacquered Copper (67), Antique Lacquered Brass (68), Weathered Brass (70), Lacquered Polished Black Nickel (71) and Lacquered Polished Copper (80).
- Please See Cleaning Instructions: <http://herbeau.com/CleaningAll.pdf> For Finish Care and Maintenance Information.

## Part#

## Description

- |    |   |
|----|---|
| 01 | Finished Spout-Cannot be Ordered Separately           |
| 02 | Ball Bearing  |
| 03 | Pump  |
| 04 | Finished Escutcheon Neck-Cannot be Ordered Separately |
| 05 | Brass Nut-Cannot be Ordered Separately                |
| 06 | Plastic Bottle  |

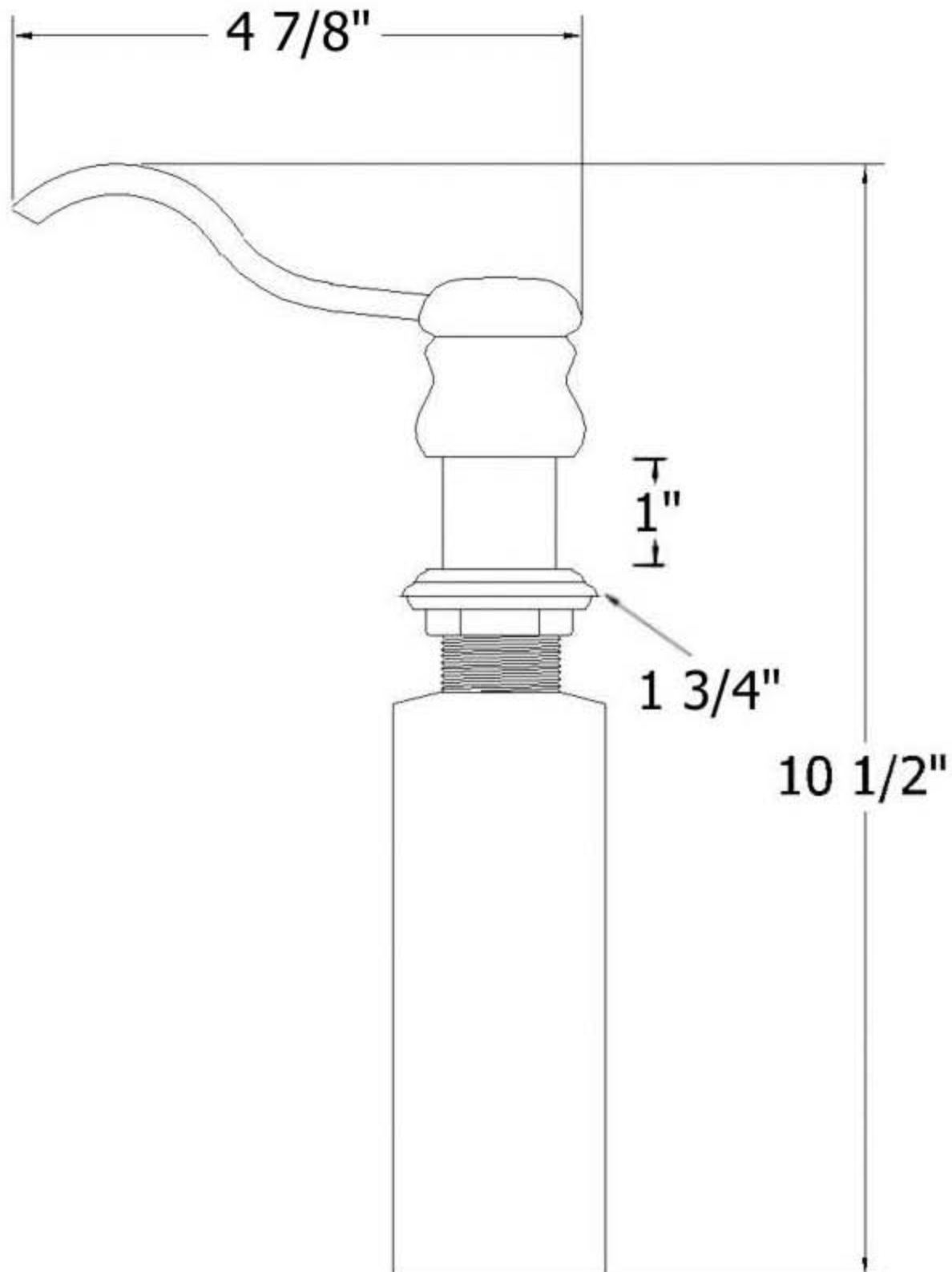
## Please follow example when ordering parts for Soap & Lotion Dispenser

- To order part#02 – Ball Bearing
  - 990471
- Please substitute finish number needed in place of **XX**



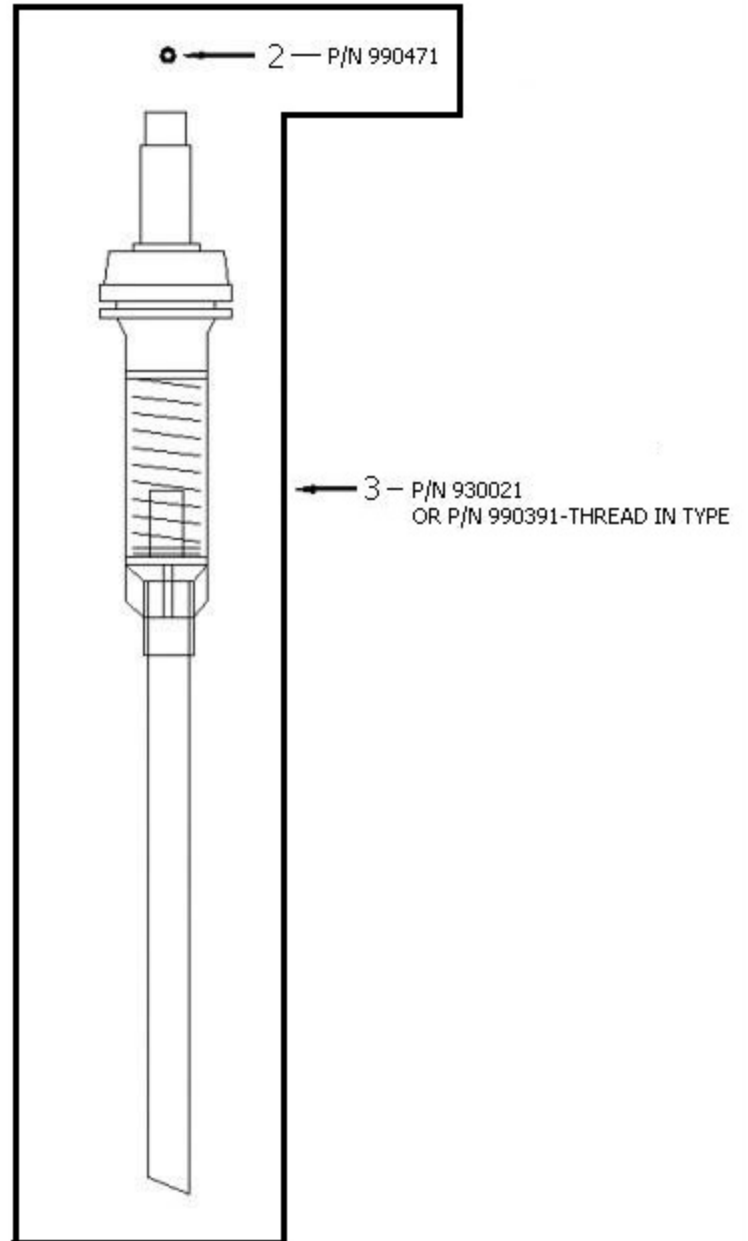
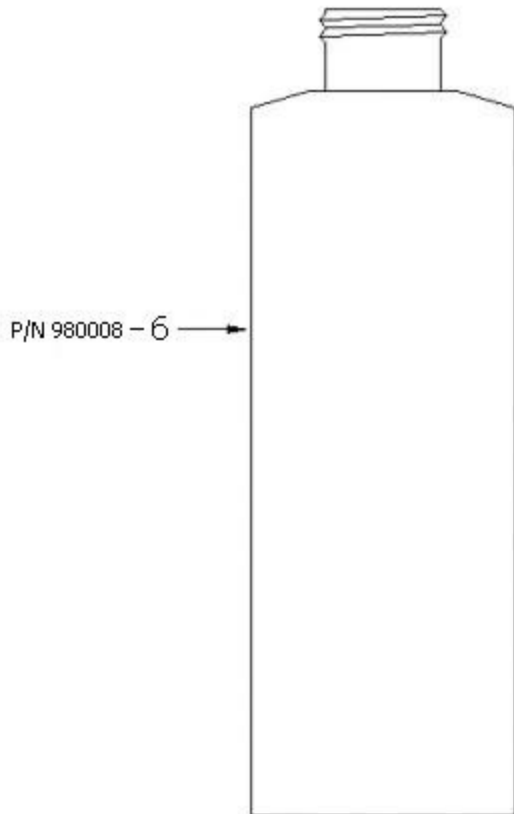
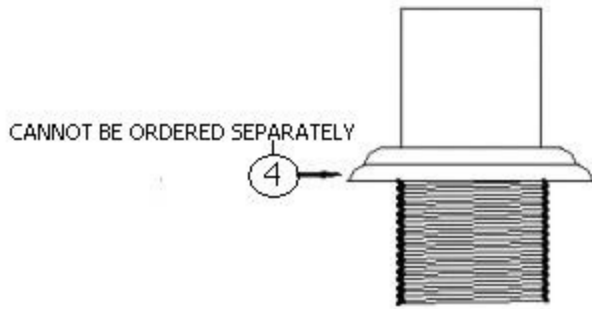
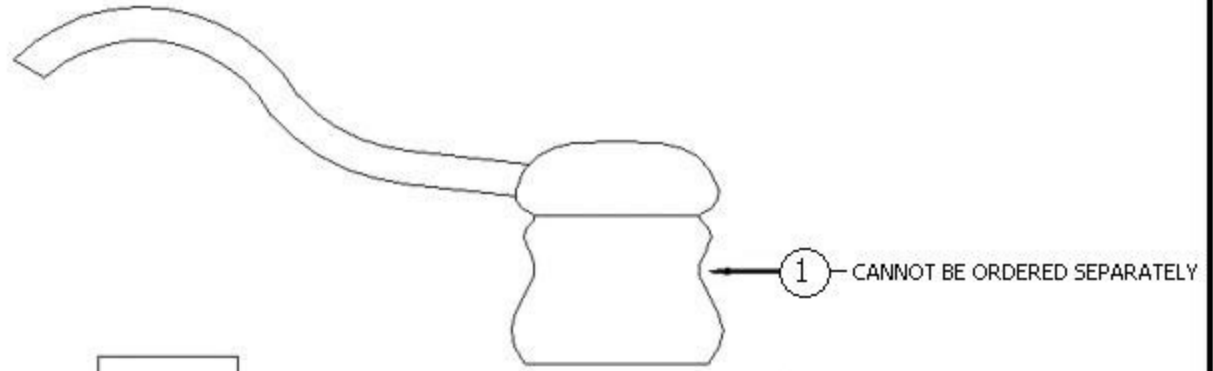
**Herbeau**<sup>®</sup>  
L'Art du Sanitaire depuis 1857

# 4517 - Soap & Lotion Dispenser



# 4517 - Soap & Lotion Dispenser

\*P/N = PART NUMBER



○ = FINISHED PARTS  
XX = TWO DIGIT FINISH CODE